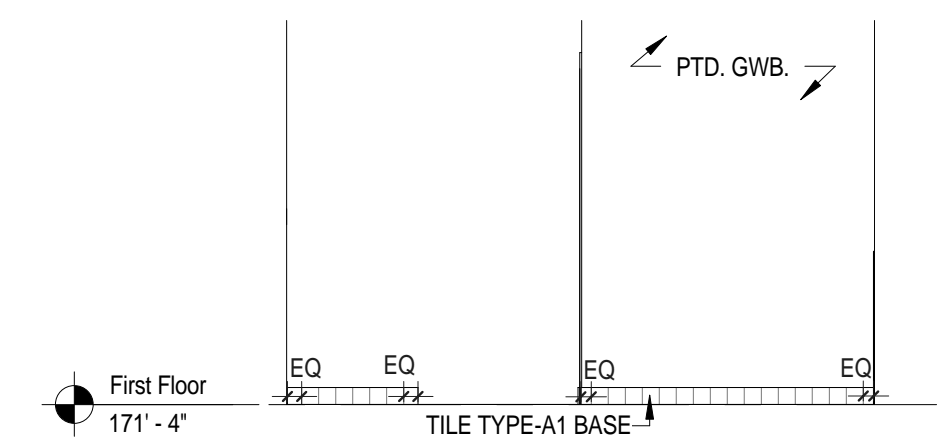
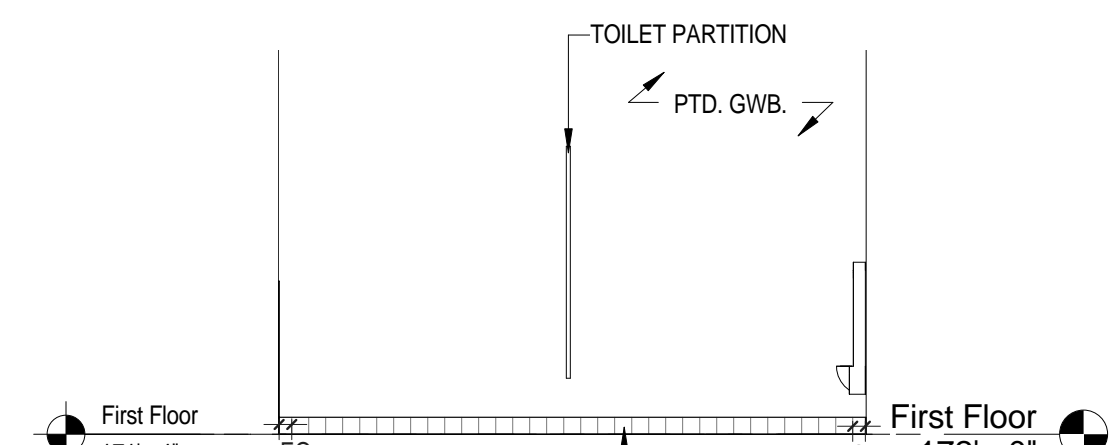


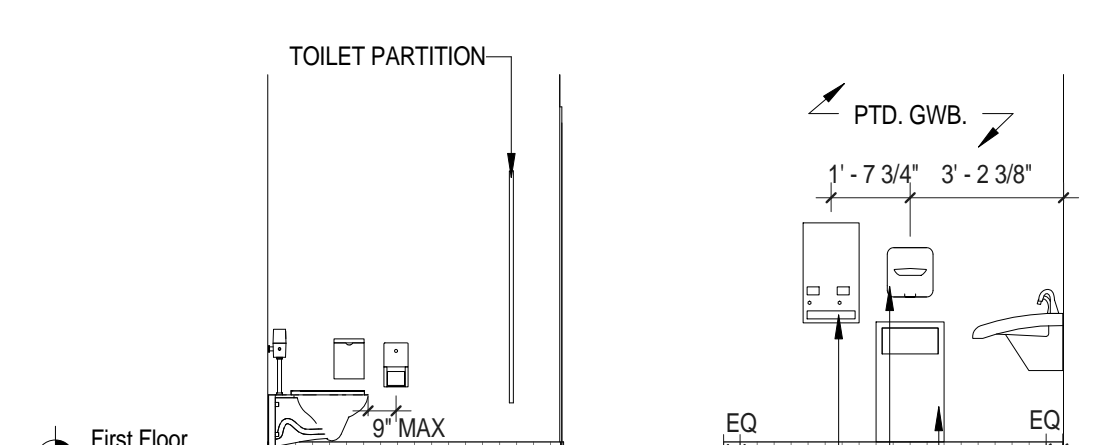
29 ATHLETIC BUILDING BATHROOMS
1/4" = 1'-0"



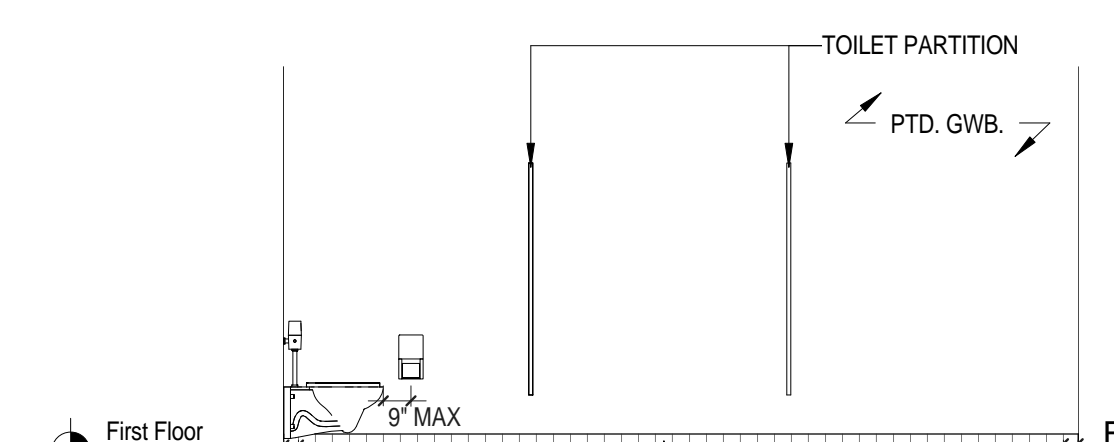
1 ATHLETIC BUILDING BOYS TOILET
1/4" = 1'-0"



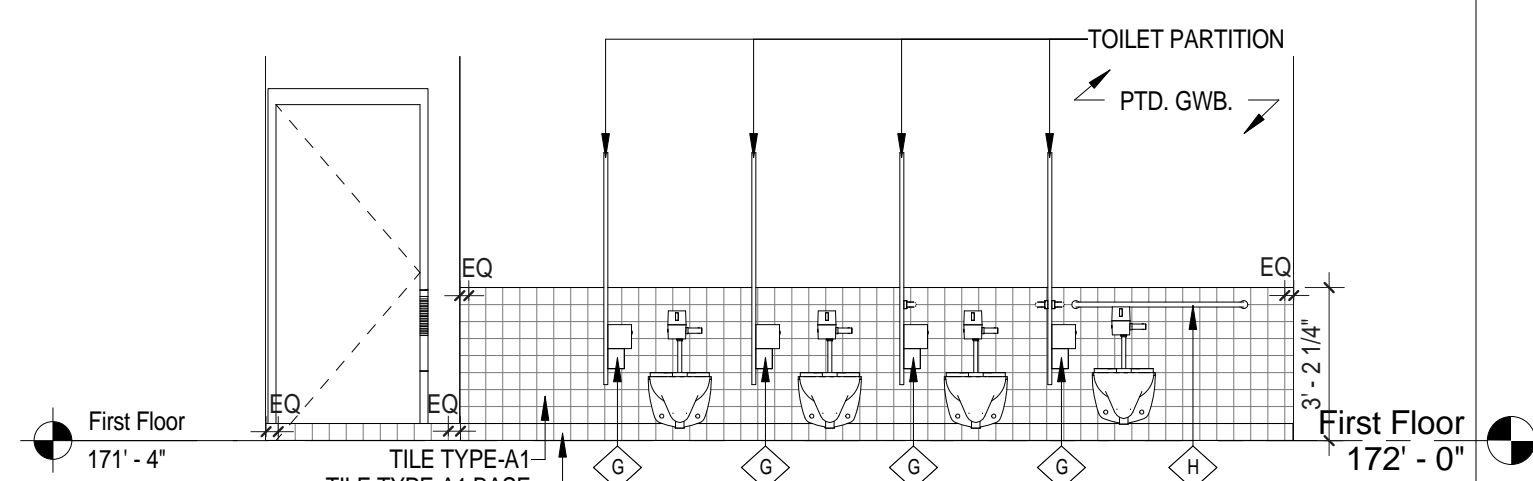
3 ATHLETIC BUILDING BOYS TOILET
1/4" = 1'-0"



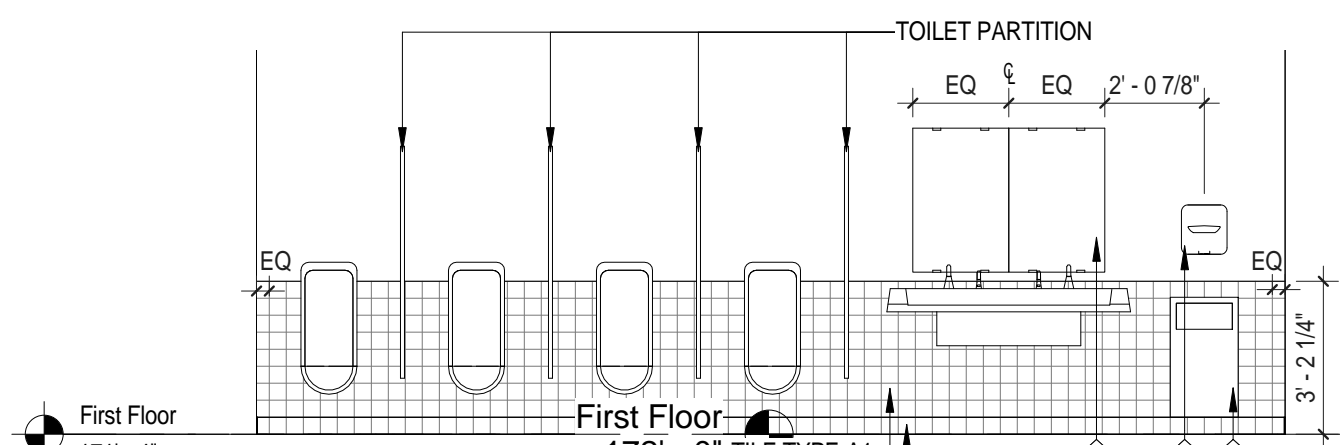
5 ATHLETIC BUILDING GIRLS TOILET
1/4" = 1'-0"



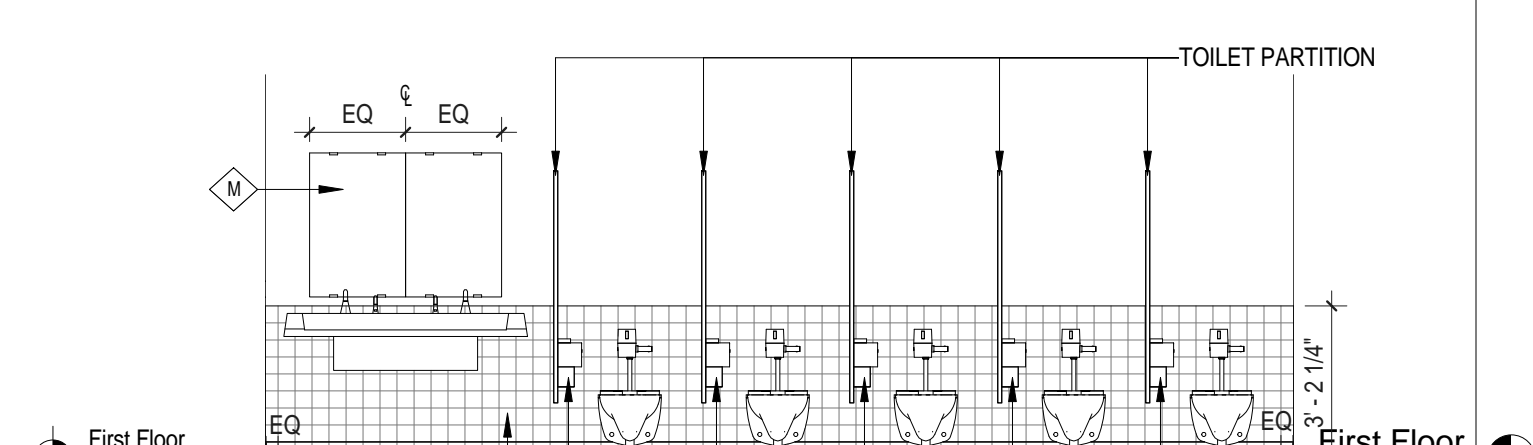
7 ATHLETIC BUILDING GIRLS TOILET
1/4" = 1'-0"



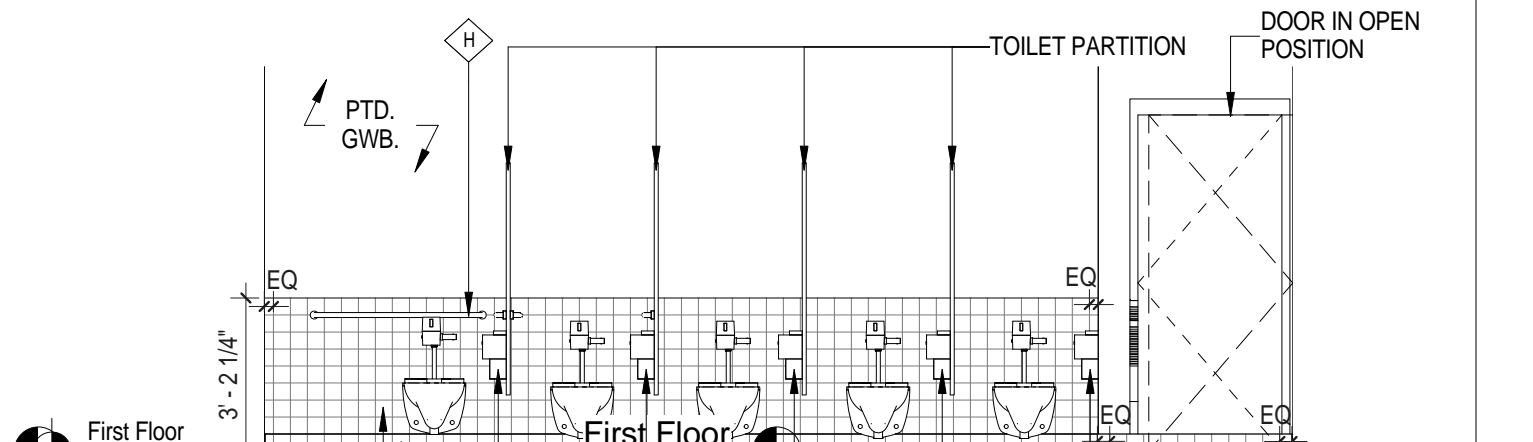
2 ATHLETIC BUILDING BOYS TOILET
1/4" = 1'-0"



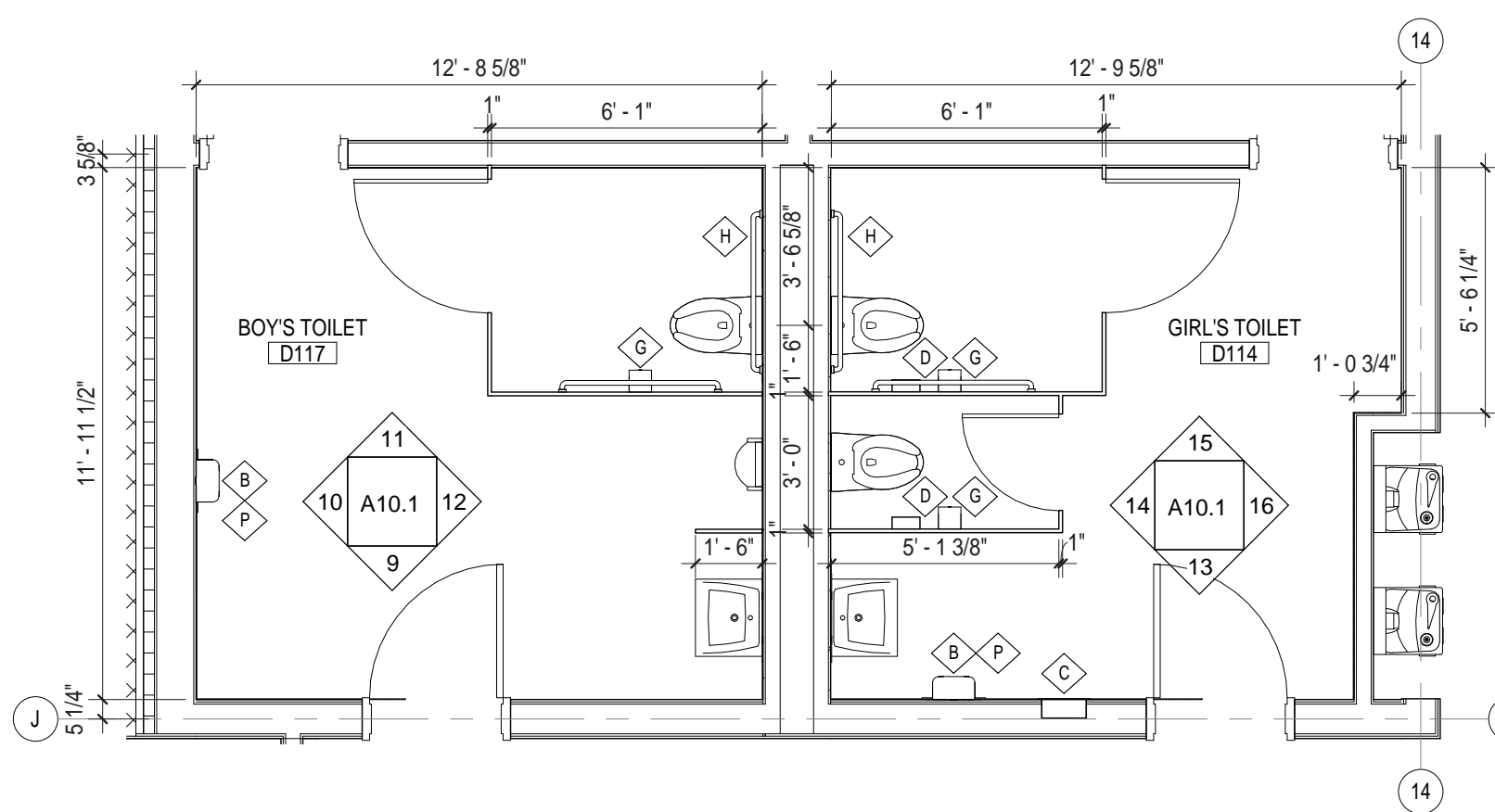
4 ATHLETIC BUILDING BOYS TOILET
1/4" = 1'-0"



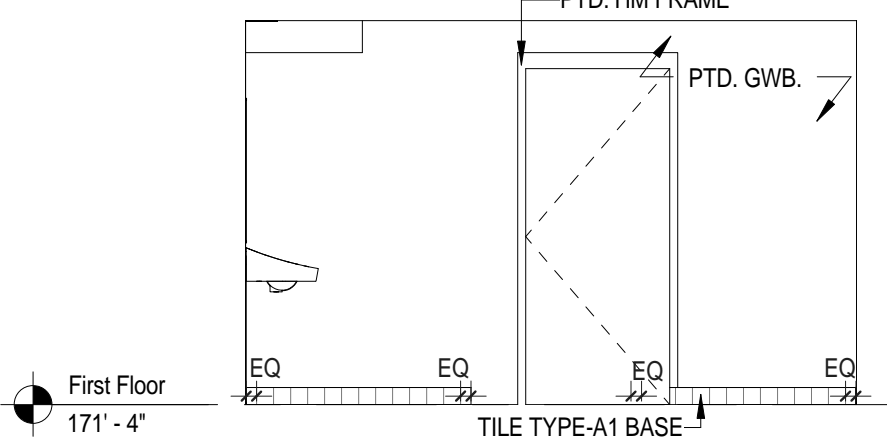
6 ATHLETIC BUILDING GIRLS TOILET
1/4" = 1'-0"



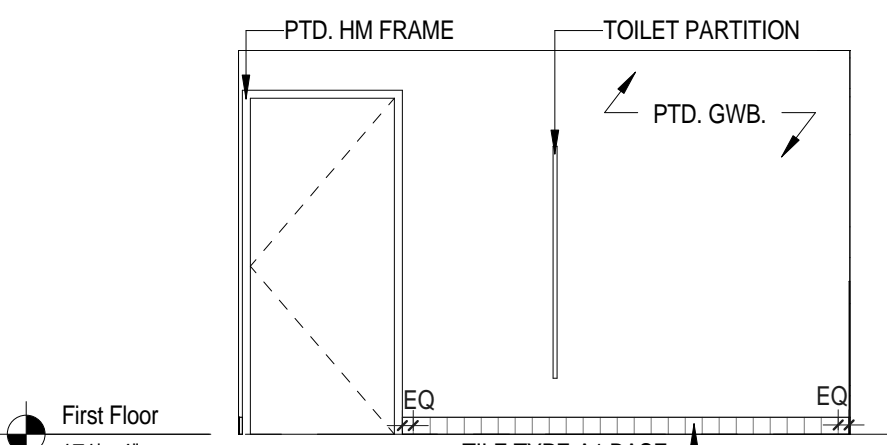
8 ATHLETIC BUILDING GIRLS TOILET
1/4" = 1'-0"



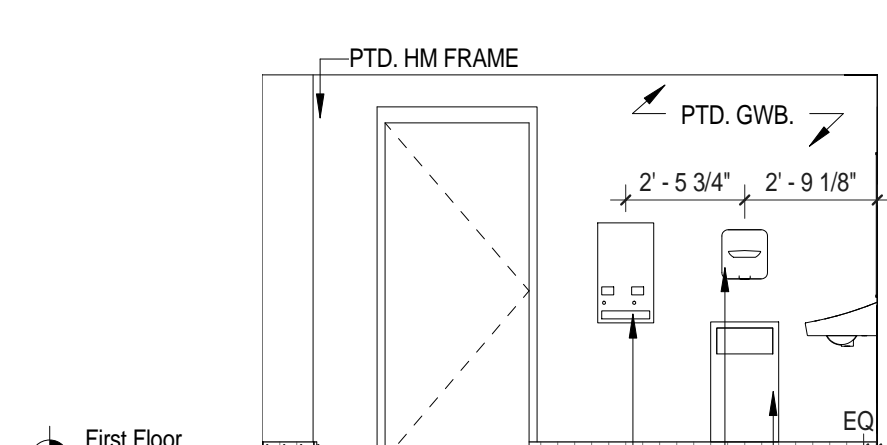
A BOYS TOILET - D117, GIRLS TOILET - D114
1/4" = 1'-0"



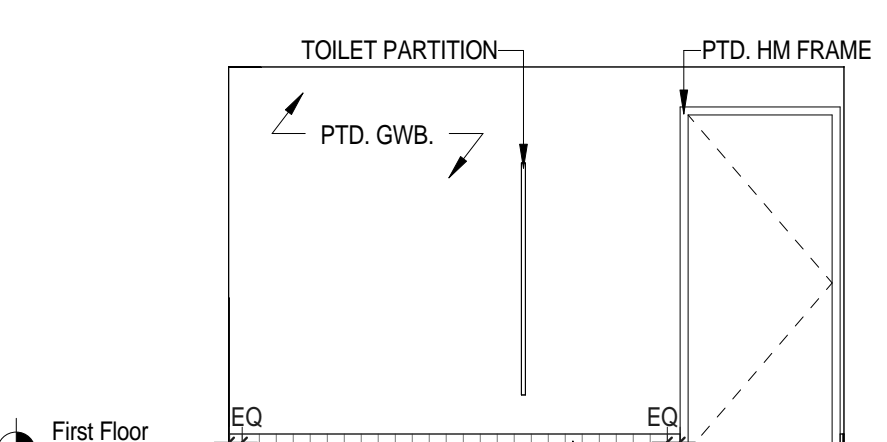
9 BOYS TOILET ROOM - D117
1/4" = 1'-0"



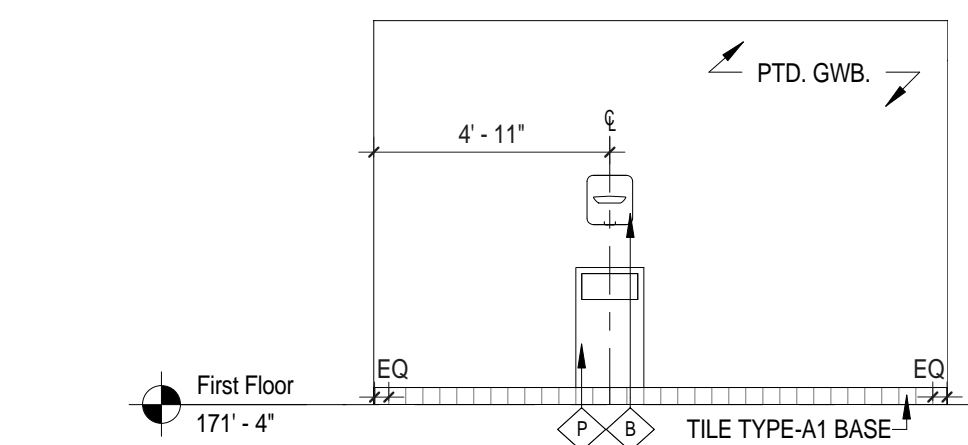
11 BOYS TOILET ROOM - D117
1/4" = 1'-0"



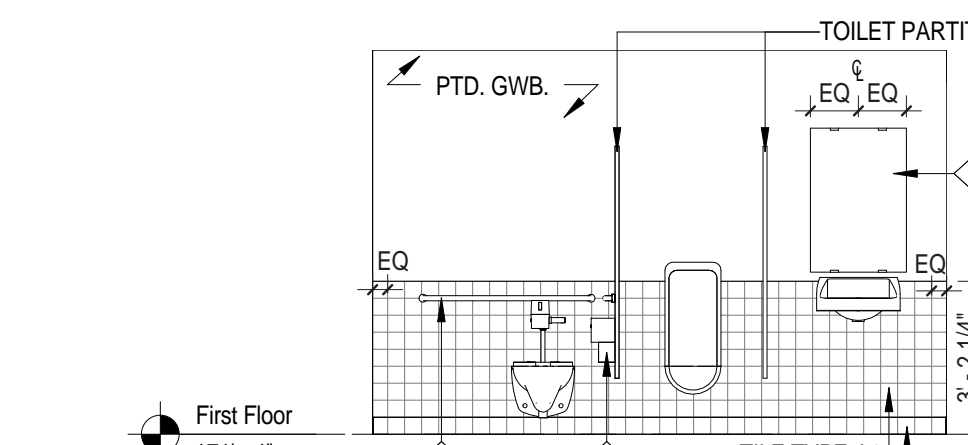
13 GIRLS TOILET ROOM - D114
1/4" = 1'-0"



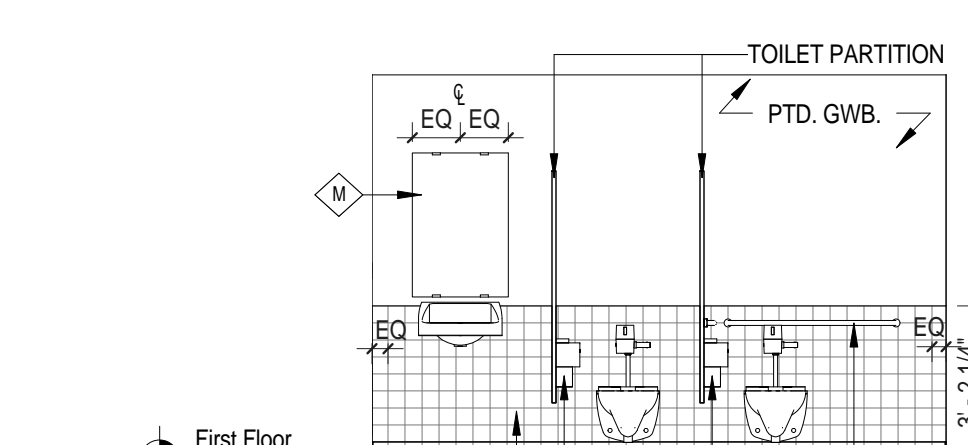
15 GIRLS TOILET ROOM - D114
1/4" = 1'-0"



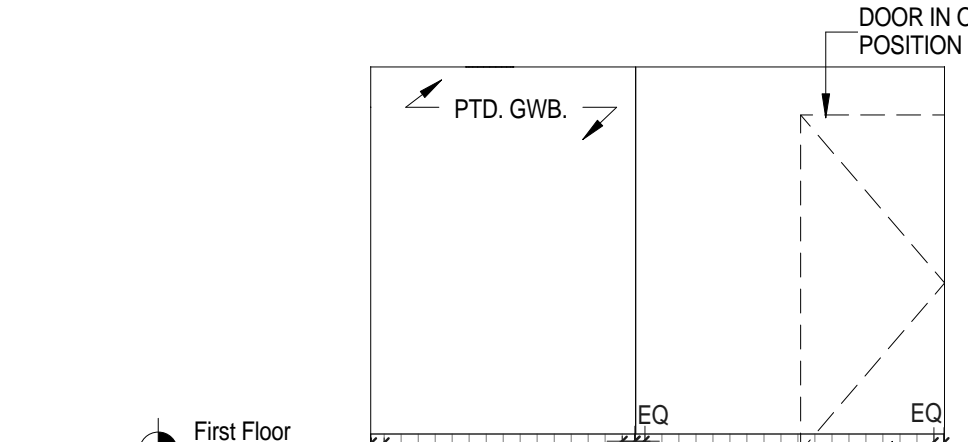
10 BOYS TOILET ROOM - D117
1/4" = 1'-0"



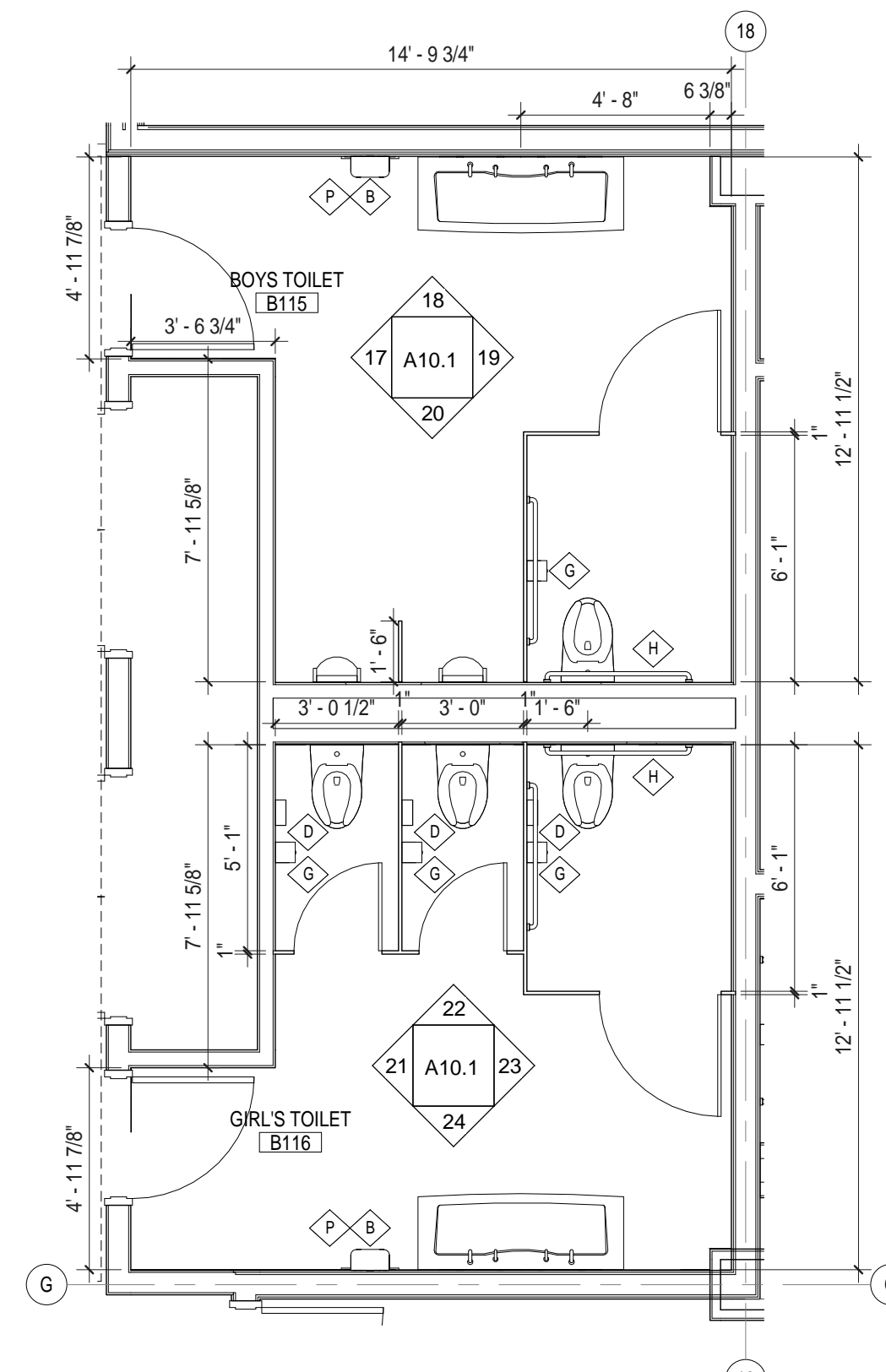
12 BOYS TOILET ROOM - D117
1/4" = 1'-0"



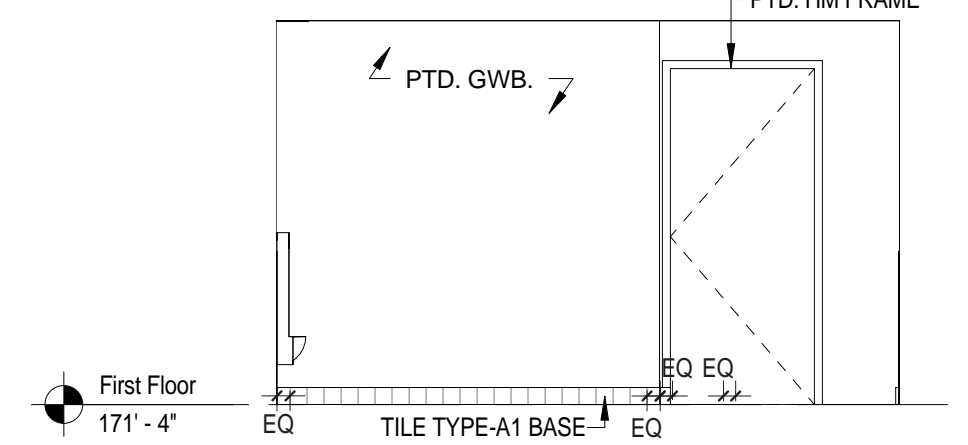
14 GIRLS TOILET ROOM - D114
1/4" = 1'-0"



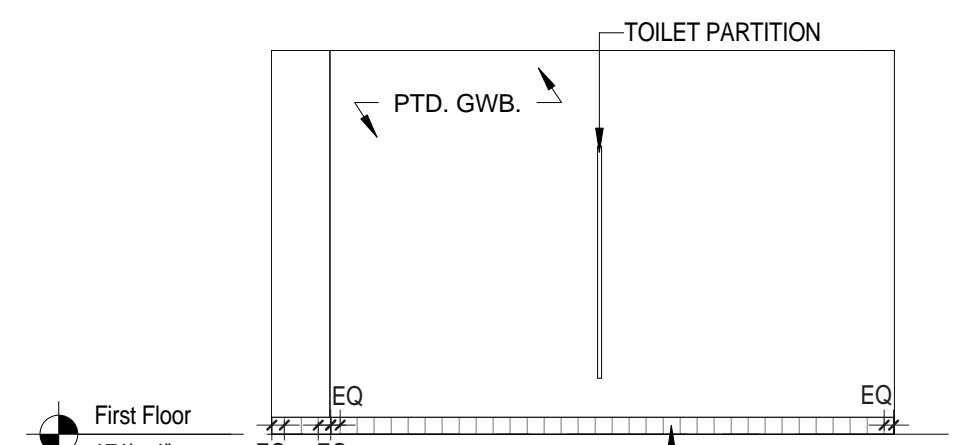
16 GIRLS TOILET ROOM - D114
1/4" = 1'-0"



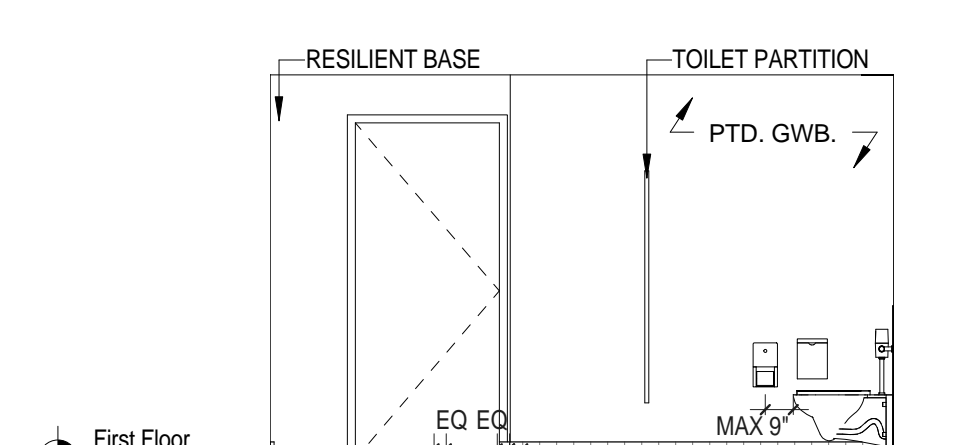
B STAFF TOILETS - B113A & B112A
1/4" = 1'-0"



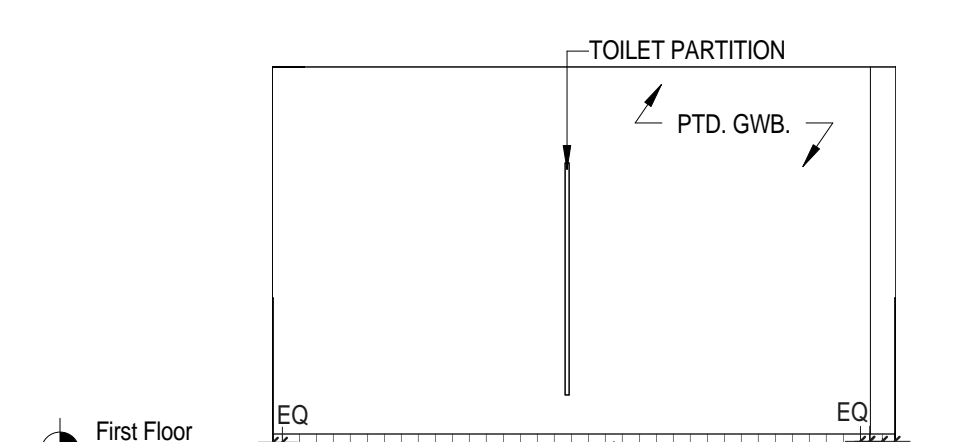
17 STAFF TOILET - B112A
1/4" = 1'-0"



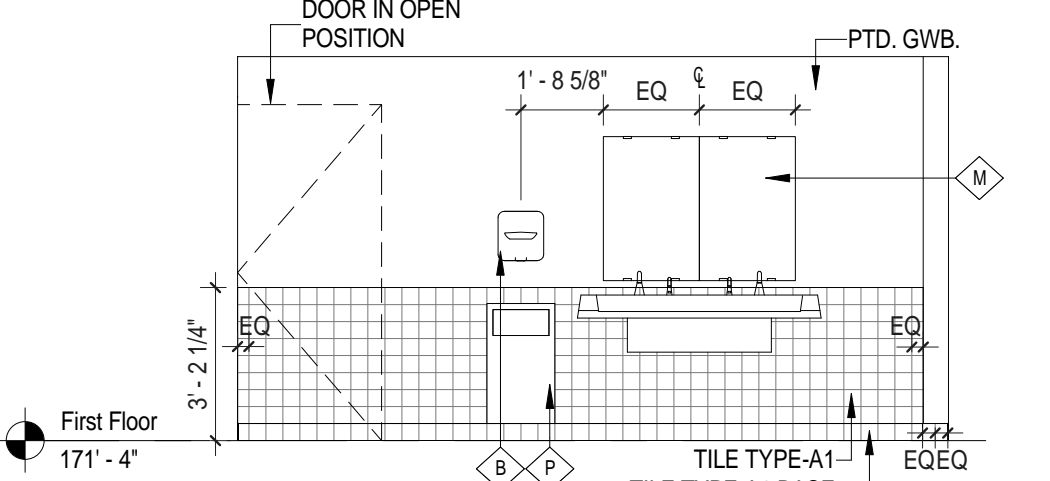
19 STAFF TOILET - B112A
1/4" = 1'-0"



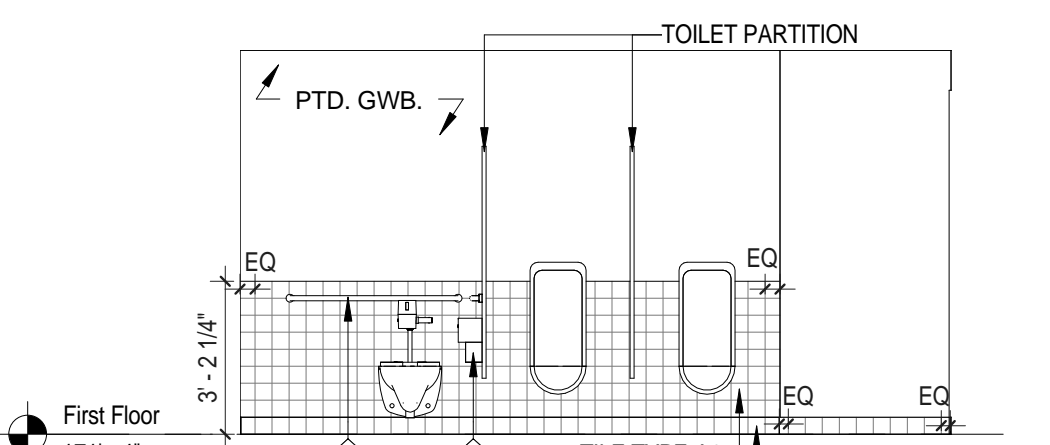
21 STAFF TOILET - B113A
1/4" = 1'-0"



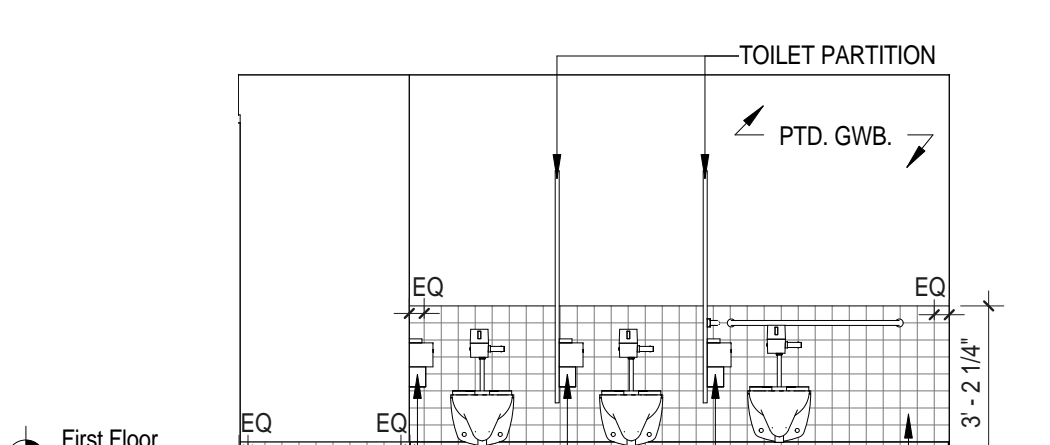
23 STAFF TOILET - B113A
1/4" = 1'-0"



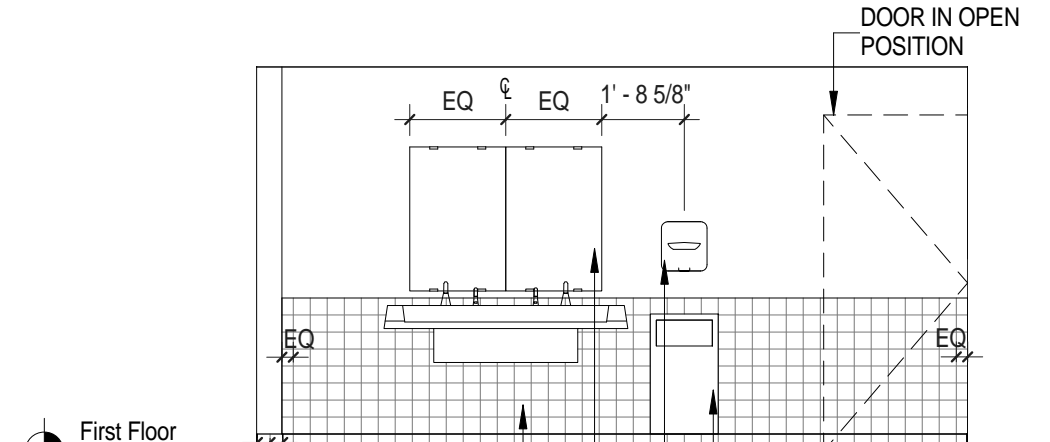
18 STAFF TOILET - B112A
1/4" = 1'-0"



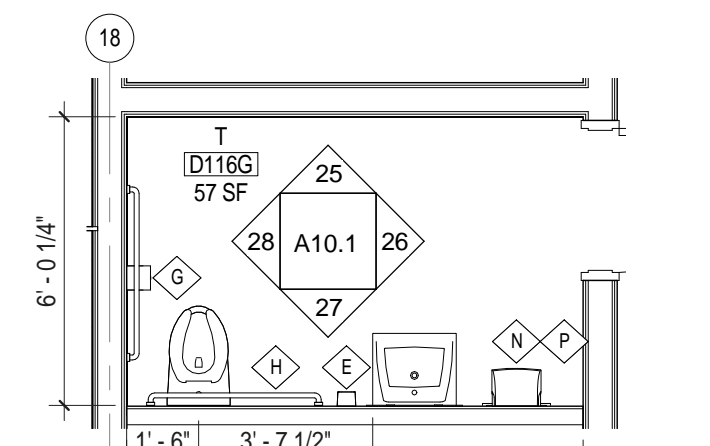
20 STAFF TOILET - B112A
1/4" = 1'-0"



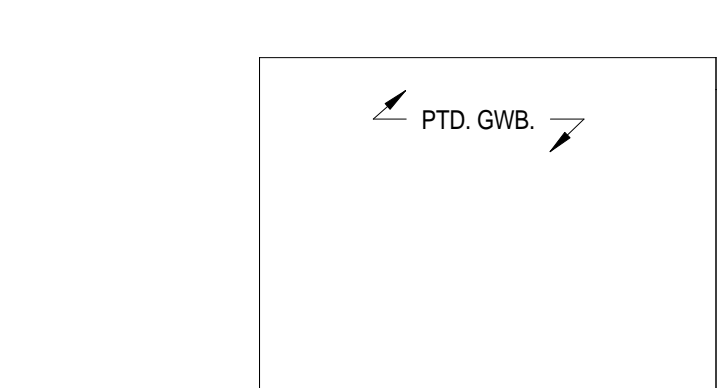
22 STAFF TOILET - B113A
1/4" = 1'-0"



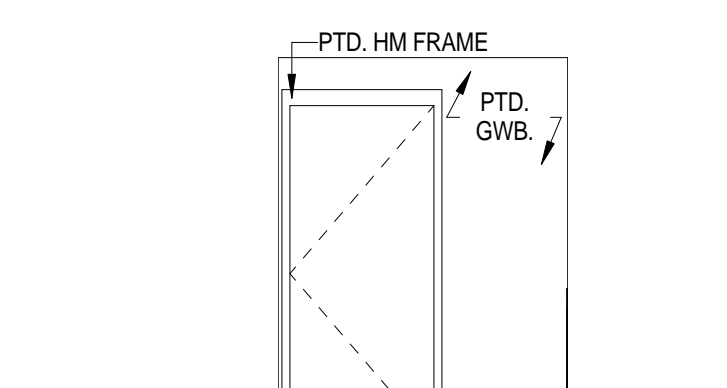
24 STAFF TOILET - B113A
1/4" = 1'-0"



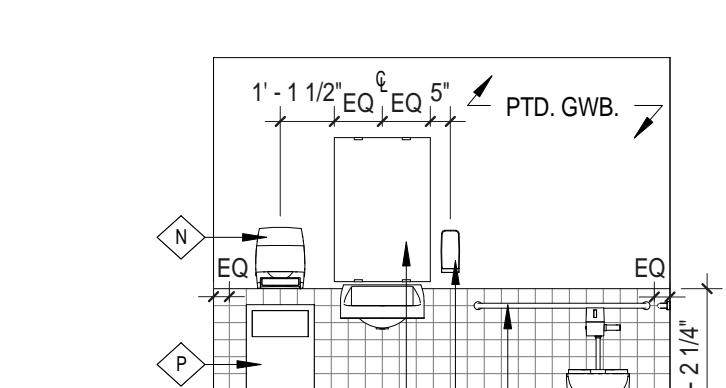
D TYP. TOILET ROOM - D116G
1/4" = 1'-0"



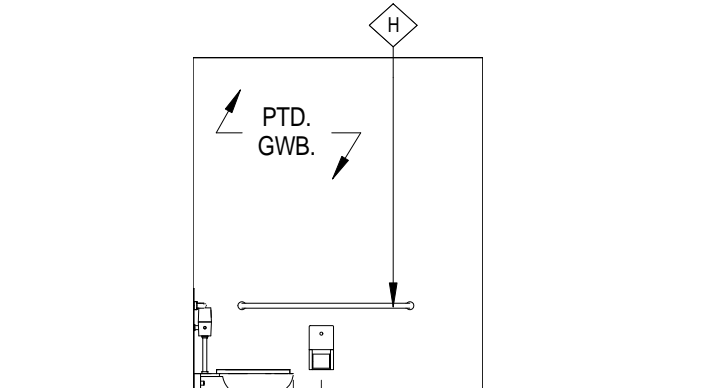
25 TYP. TOILET ROOM - D116G
1/4" = 1'-0"



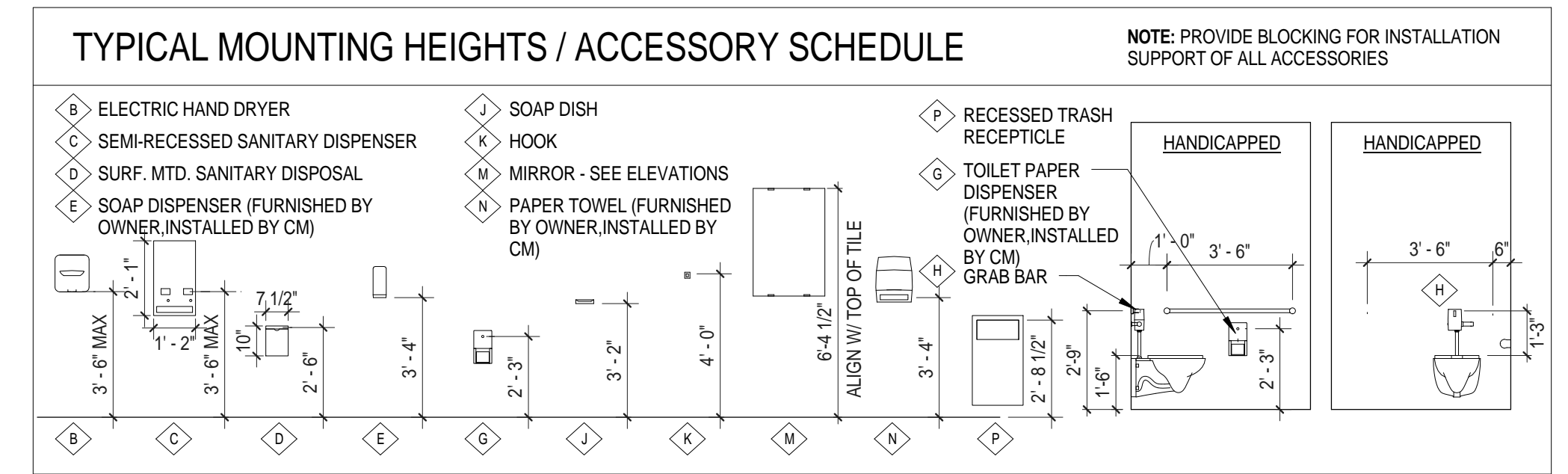
26 TYP. TOILET ROOM - D116G
1/4" = 1'-0"



27 TYP. TOILET ROOM - D116G
1/4" = 1'-0"



28 TYP. TOILET ROOM - D116G
1/4" = 1'-0"



TYPICAL MOUNTING HEIGHTS / ACCESSORY SCHEDULE		NOTE: PROVIDE BLOCKING FOR INSTALLATION SUPPORT OF ALL ACCESSORIES	
◇ ELECTRIC HAND DRYER	◇ SOAP DISH	◇ RECESSED TRASH RECEPTACLE	HANDICAPPED
◇ SEM-RECESSED SANITARY DISPENSER	◇ HOOK	◇ TOILET PAPER DISPENSER (FURNISHED BY OWNER, INSTALLED BY CM)	HANDICAPPED
◇ SURF. MTD. SANITARY DISPOSAL	◇ MIRROR - SEE ELEVATIONS	◇ GRAB BAR	
◇ SOAP DISPENSER (FURNISHED BY OWNER, INSTALLED BY CM)	◇ PAPER TOWEL (FURNISHED BY OWNER, INSTALLED BY CM)		

P:\Projects\2011\1105-00_CCRHS_Concord-Carlisle_HS_CENTRAL.dwg
 Printed: 8/10/2012 3:40:40 PM
 User: jfr/jfr

Architect: **omr architects inc.**
 543 Massachusetts Ave, West Acton, MA 01720
 www.omr-architects.com t: 978.264.0160

Consulting Engineer:
 Registration:
 Project Name and Address:

Concord-Carlisle Regional High School
 500 Walden Street
 Concord, MA 01742

Issue Submissions:
 No.: Date: Description:
 8/15/2012 Design Development Submission

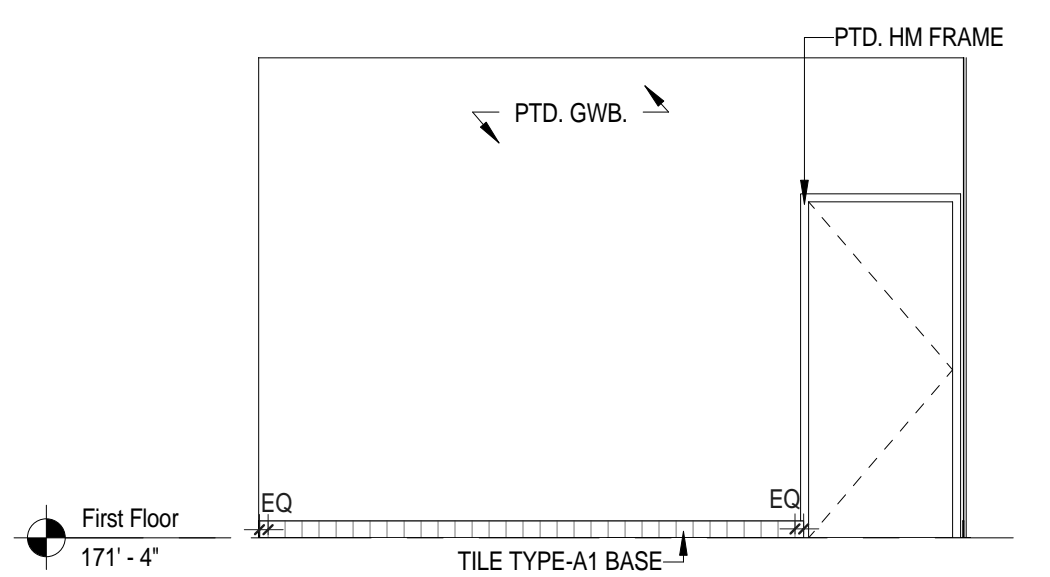
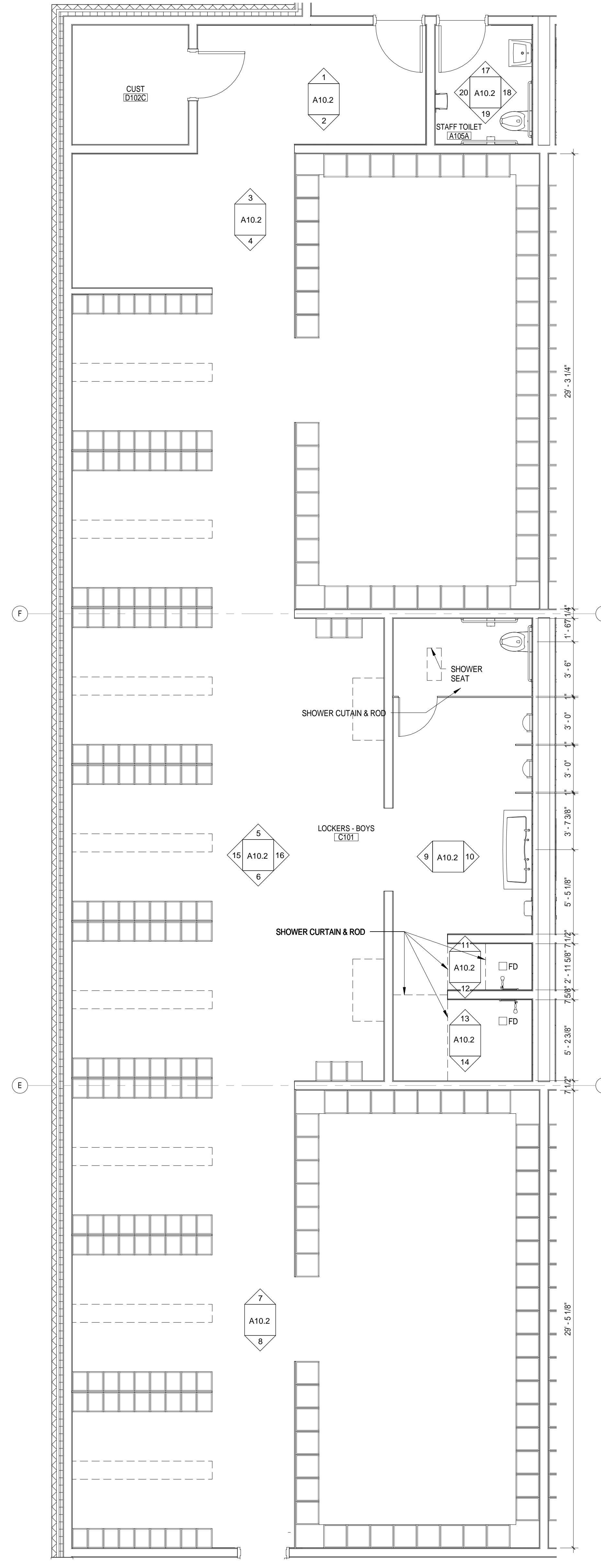
Title: **Toilet Room Plans and Elevations**
 Date: August 15, 2012 Scale: 1/4" = 1'-0" Drawn: MD/BC Checked: jfr/jrs
 Project No.: 1102.00
 Drawing No.: **A10.1**
 © omr architects inc

E

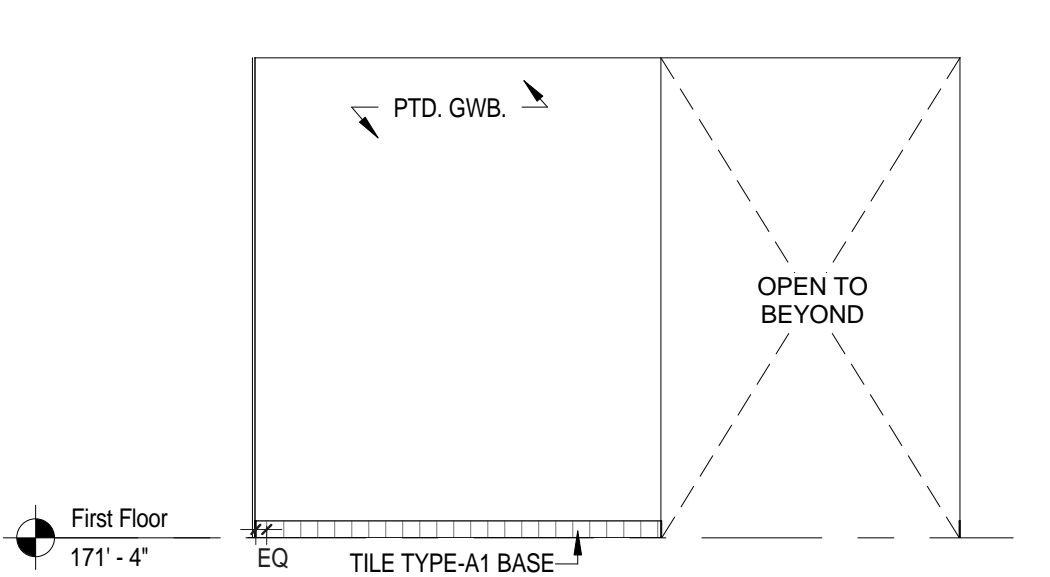
D

C

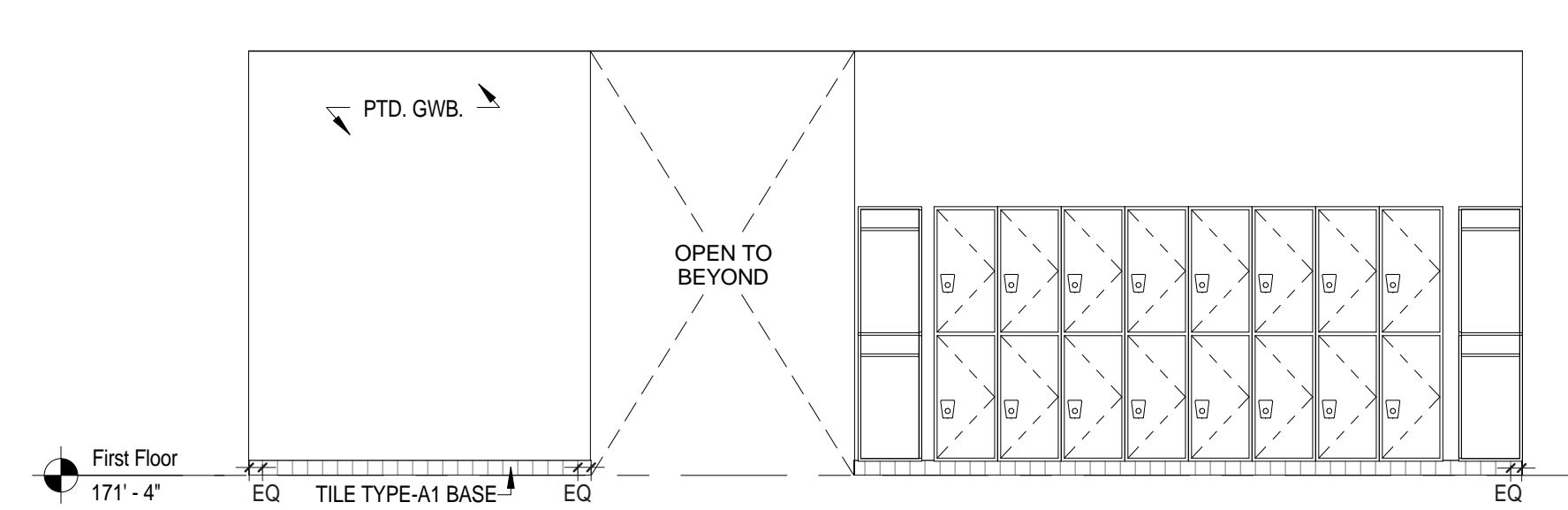
B



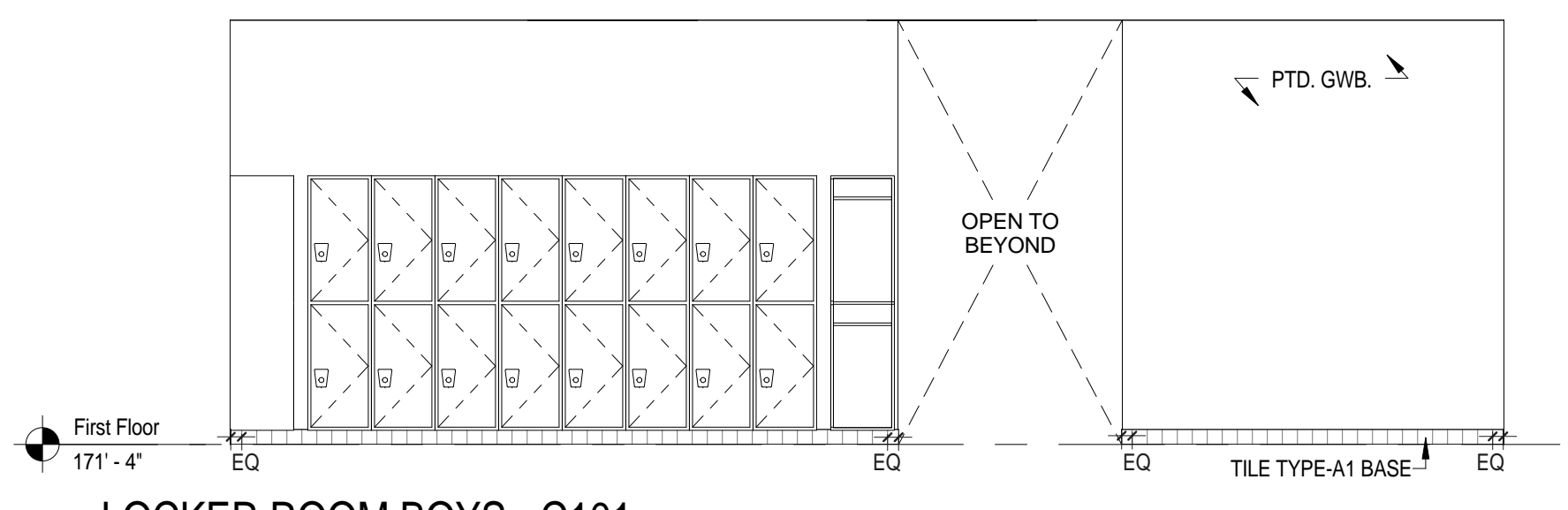
1 LOCKER ROOM BOYS - C101
1/4" = 1'-0"



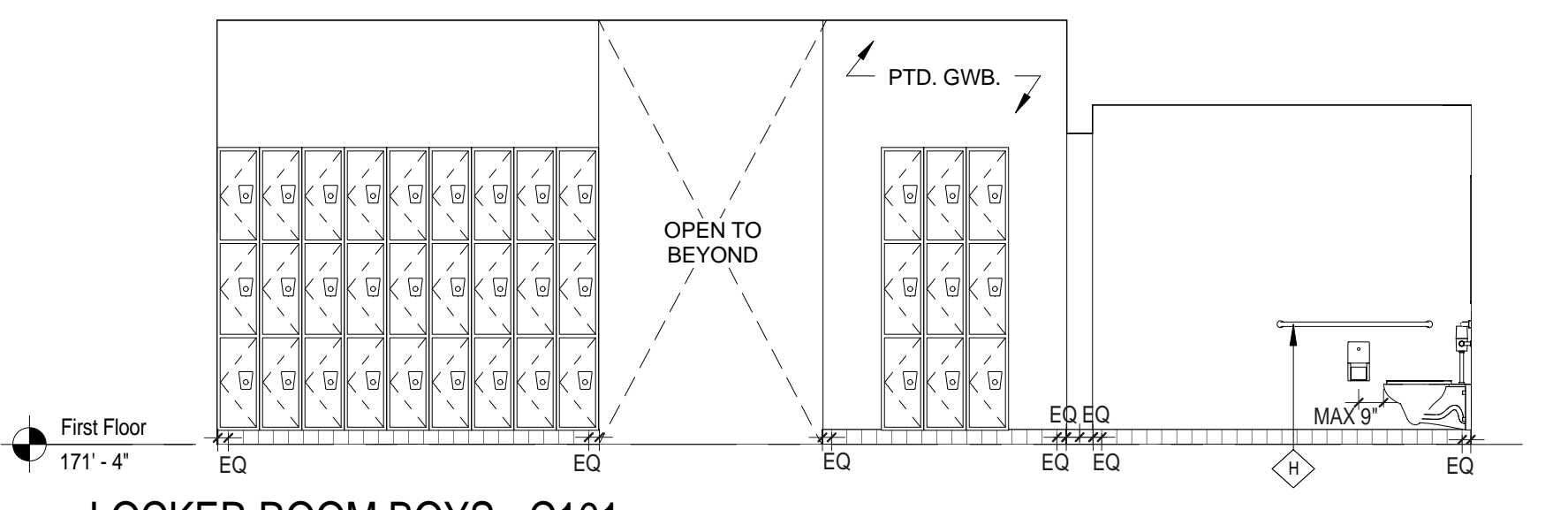
2 LOCKER ROOM BOYS - C101
1/4" = 1'-0"



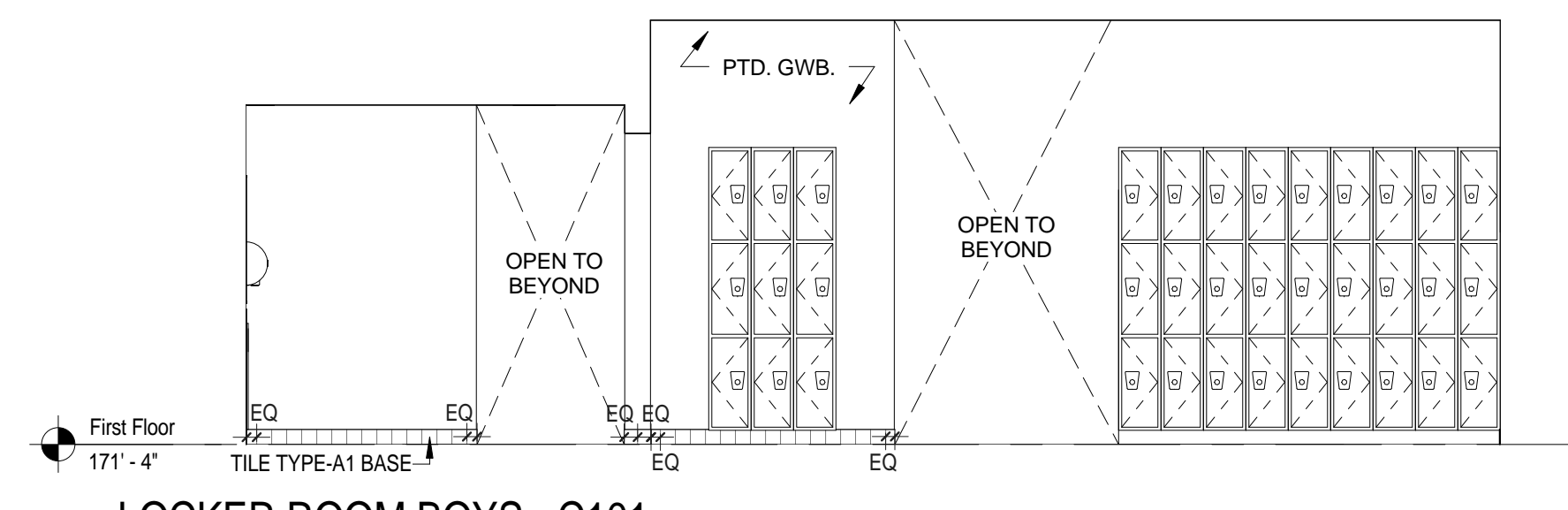
3 LOCKER ROOM BOYS - C101
1/4" = 1'-0"



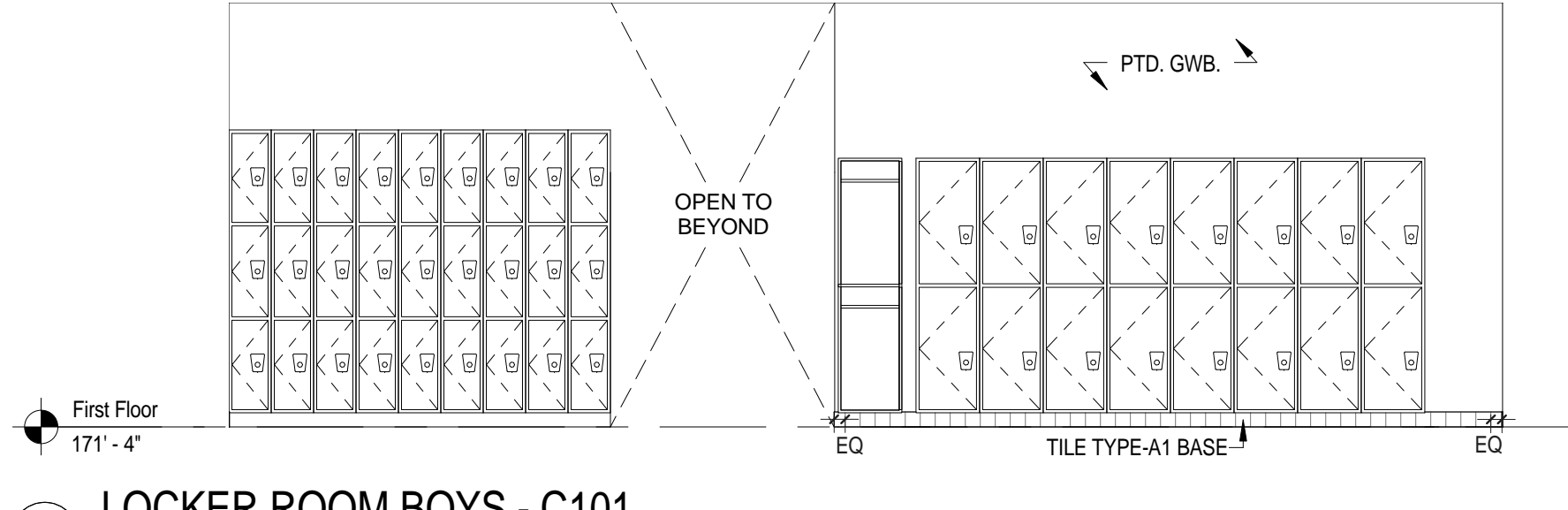
4 LOCKER ROOM BOYS - C101
1/4" = 1'-0"



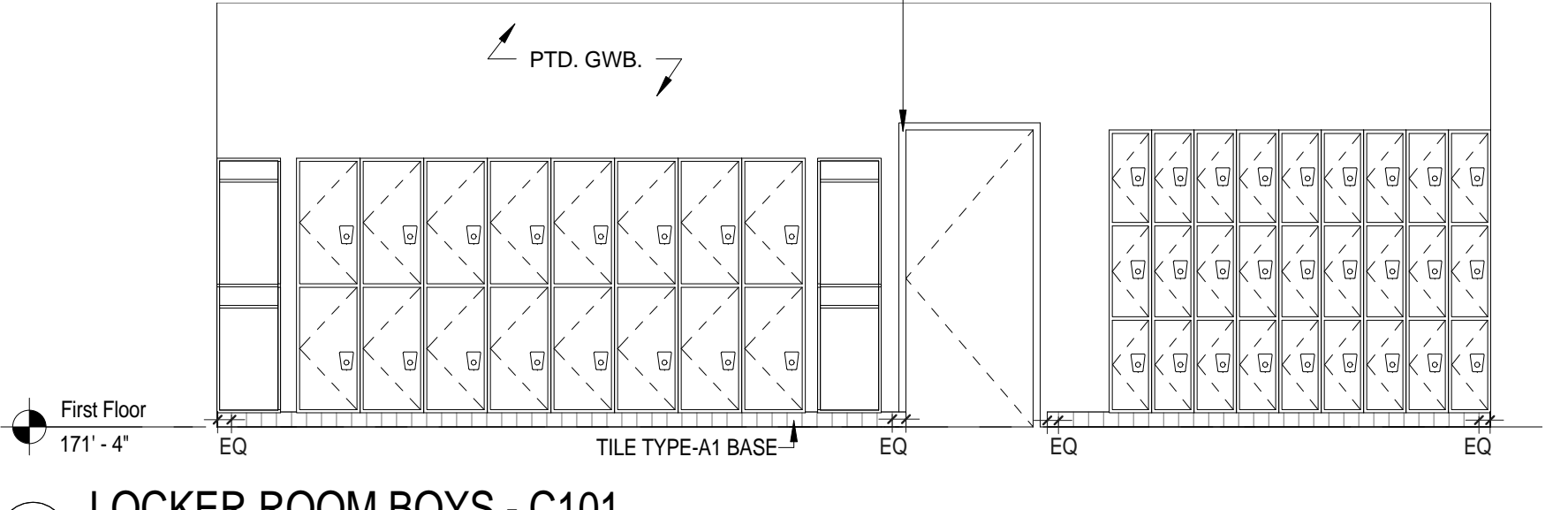
5 LOCKER ROOM BOYS - C101
1/4" = 1'-0"



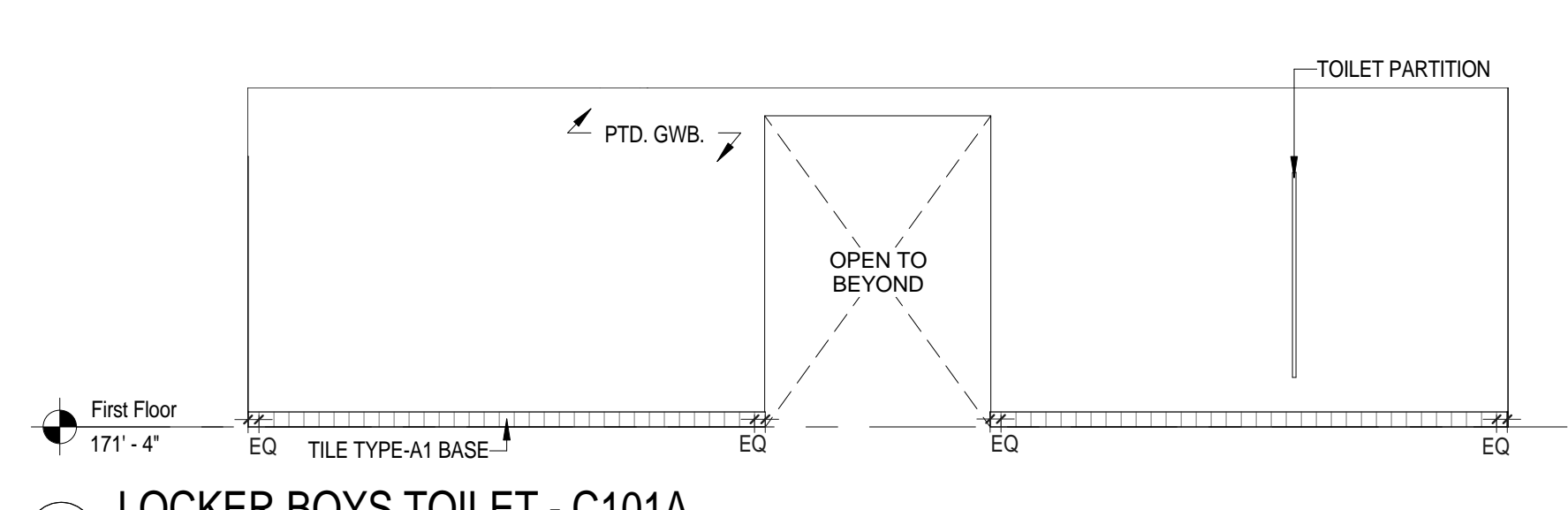
6 LOCKER ROOM BOYS - C101
1/4" = 1'-0"



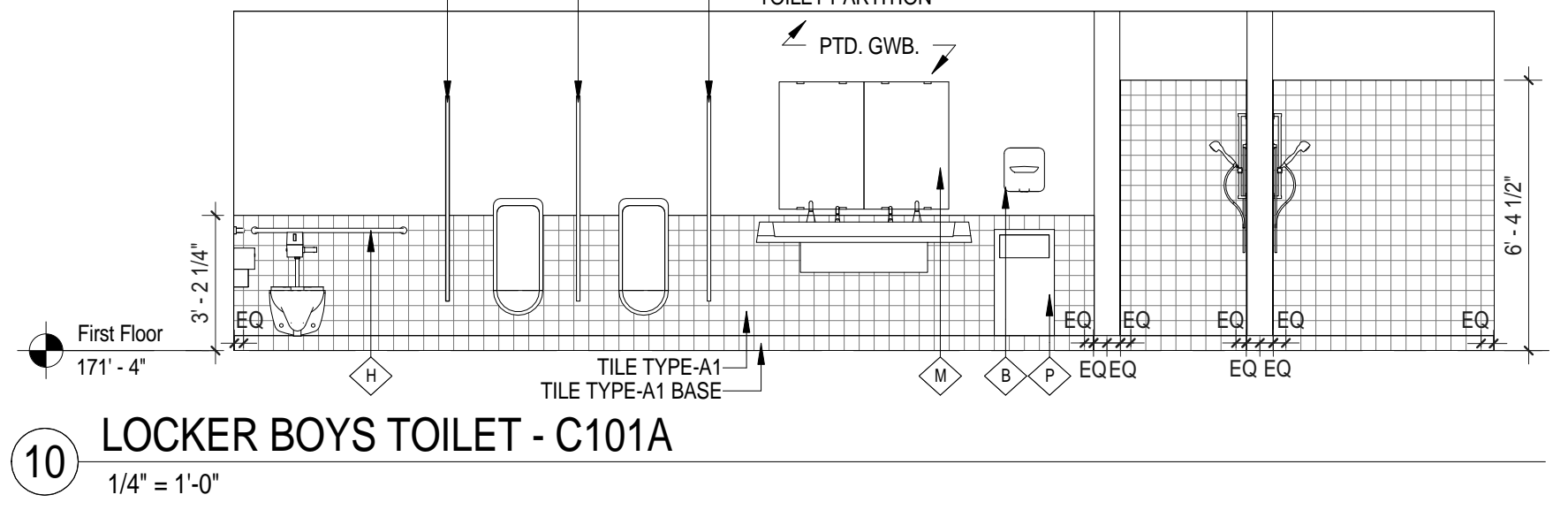
7 LOCKER ROOM BOYS - C101
1/4" = 1'-0"



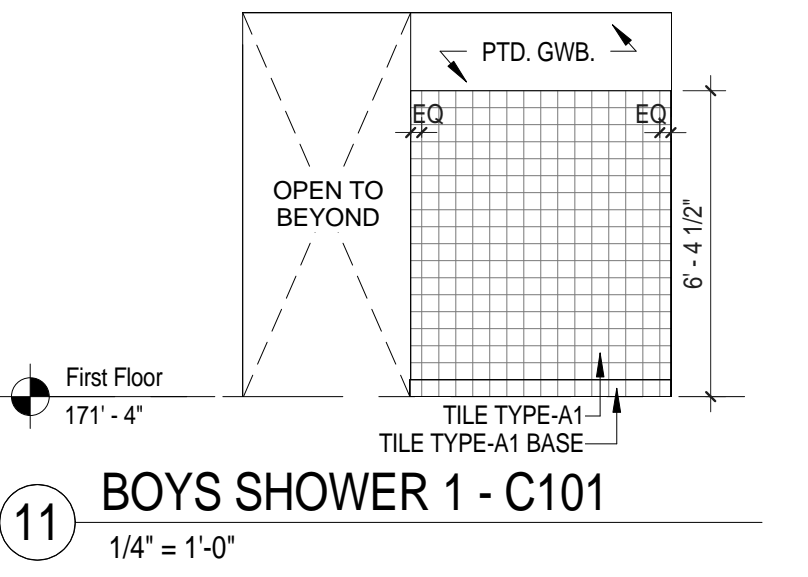
8 LOCKER ROOM BOYS - C101
1/4" = 1'-0"



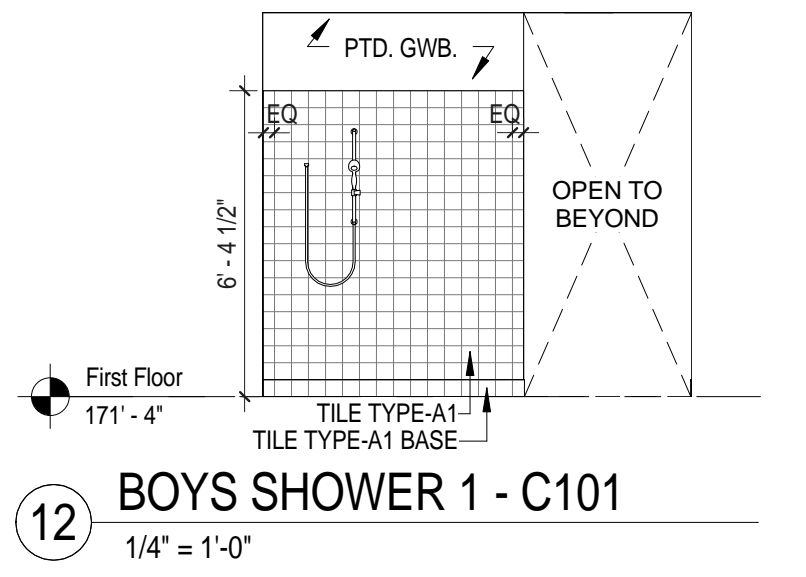
9 LOCKER BOYS TOILET - C101A
1/4" = 1'-0"



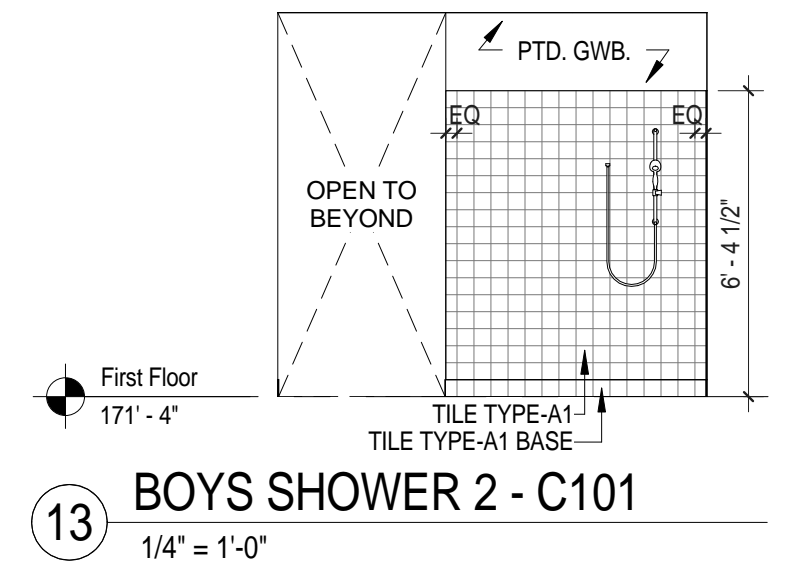
10 LOCKER BOYS TOILET - C101A
1/4" = 1'-0"



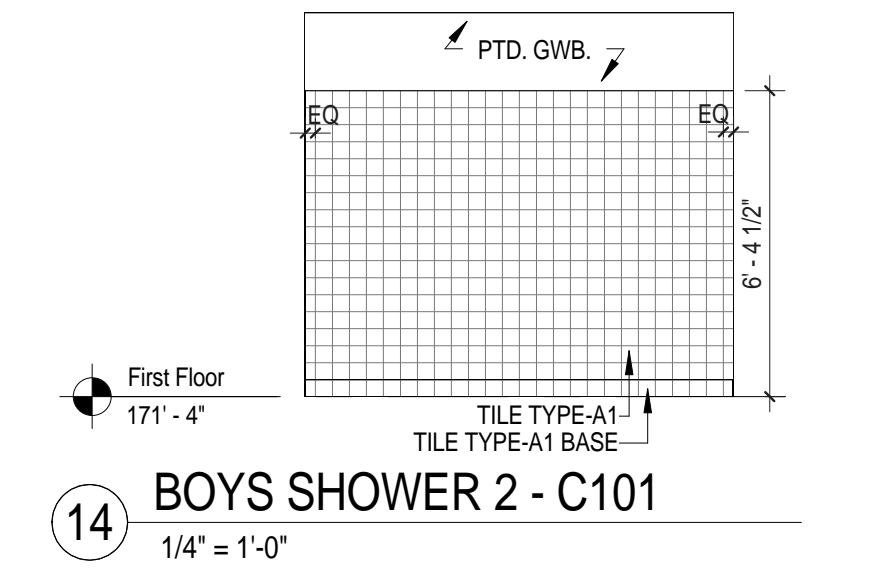
11 BOYS SHOWER 1 - C101
1/4" = 1'-0"



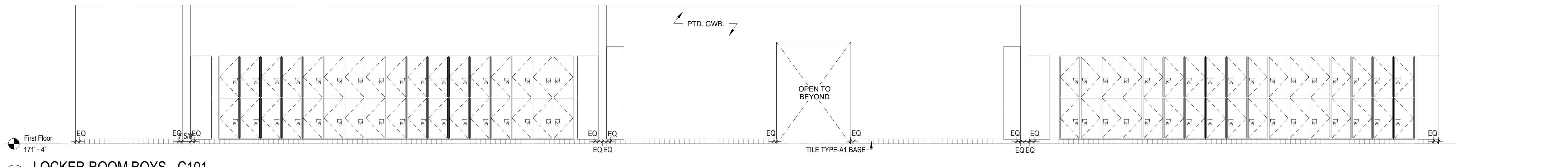
12 BOYS SHOWER 1 - C101
1/4" = 1'-0"



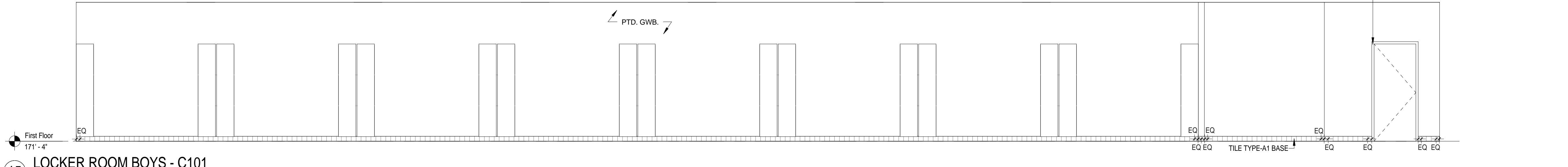
13 BOYS SHOWER 2 - C101
1/4" = 1'-0"



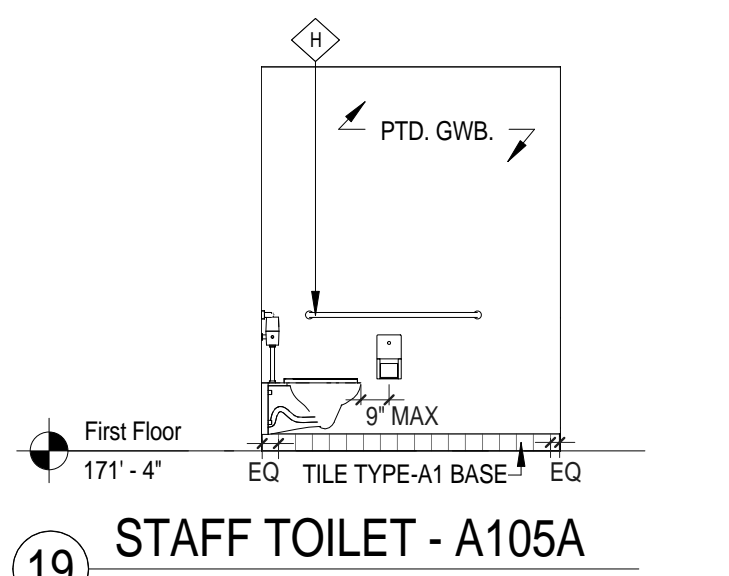
14 BOYS SHOWER 2 - C101
1/4" = 1'-0"



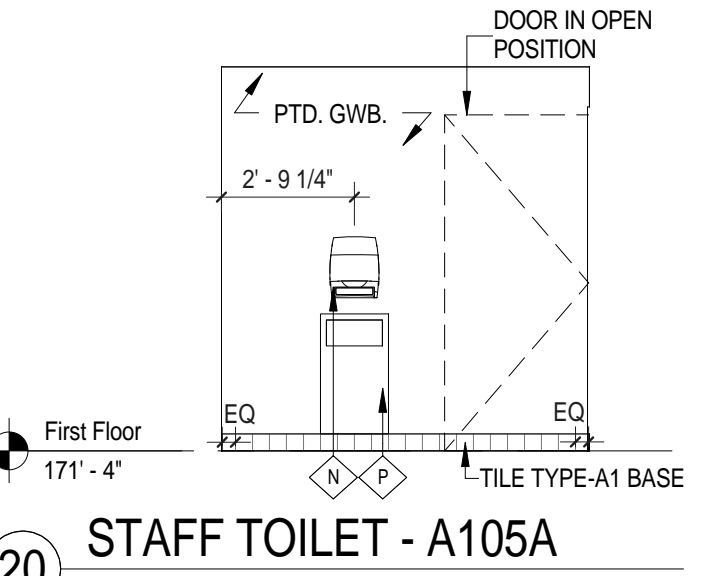
16 LOCKER ROOM BOYS - C101
1/4" = 1'-0"



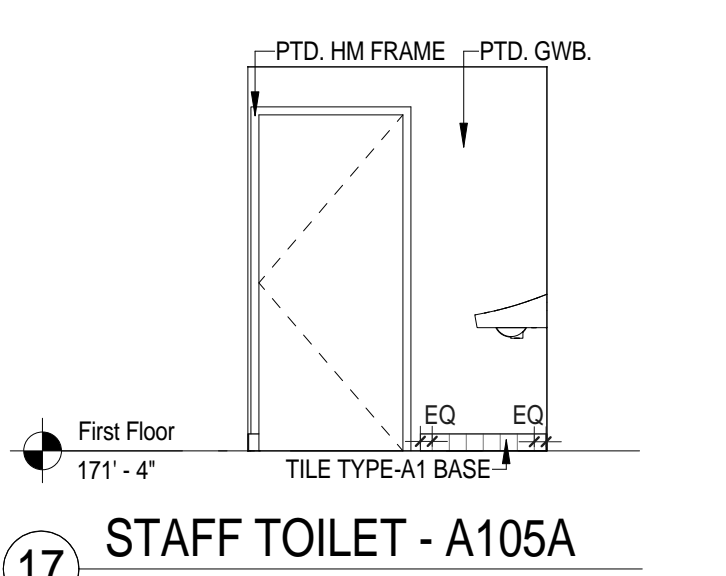
15 LOCKER ROOM BOYS - C101
1/4" = 1'-0"



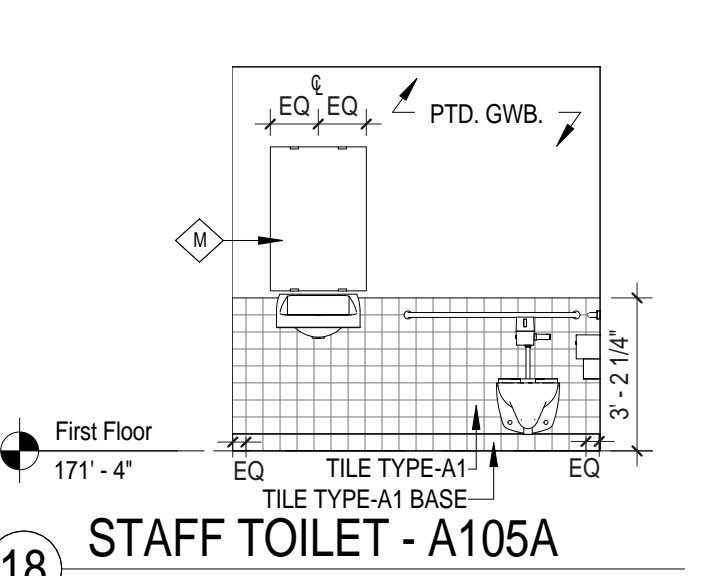
19 STAFF TOILET - A105A
1/4" = 1'-0" STAFF TOILET (A105A) OH (A105B)



20 STAFF TOILET - A105A
1/4" = 1'-0" STAFF TOILET (A105A) OH (A105B)



17 STAFF TOILET - A105A
1/4" = 1'-0" STAFF TOILET (A105A) OH (A105B)



18 STAFF TOILET - A105A
1/4" = 1'-0" STAFF TOILET (A105A) OH (A105B)

TYPICAL MOUNTING HEIGHTS / ACCESSORY SCHEDULE		NOTE: PROVIDE BLOCKING FOR INSTALLATION SUPPORT OF ALL ACCESSORIES
◇ ELECTRIC HAND DRYER	◇ SOAP DISH	◇ RECESSED TRASH RECEPTACLE
◇ SEMI-RECESSED SANITARY DISPENSER	◇ HOOK	◇ TOILET PAPER DISPENSER
◇ SURF. MTD. SANITARY DISPOSAL	◇ MIRROR - SEE ELEVATIONS	◇ PAPER TOWEL DISPENSER (FURNISHED BY OWNER, INSTALLED BY CM)
◇ SOAP DISPENSER (FURNISHED BY OWNER, INSTALLED BY CM)	◇ GRAB BAR	◇ GRAB BAR

C:\Users\jwall\Documents\Concord Carlisle HS Central\Arch\1012_4\1017.PLM
 Printed: 8/15/2012 4:18:07 PM

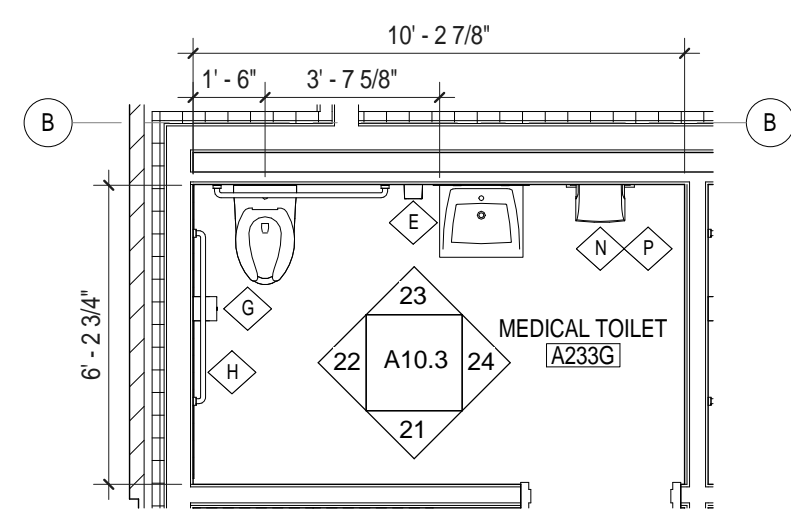
Architect: **omr architects inc.**
 543 Massachusetts Ave, West Acton, MA 01720
 www.omr-architects.com t: 978.264.0160

Consulting Engineer:
 Registration:
 Project Name and Address:

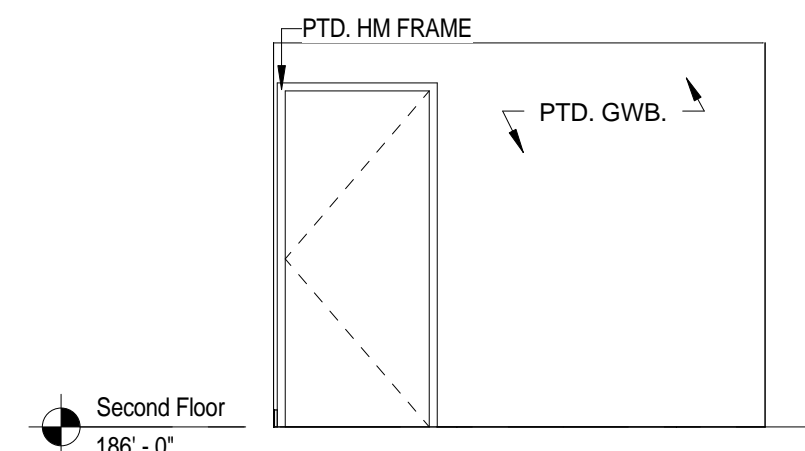
Concord-Carlisle Regional High School
 500 Walden Street
 Concord, MA 01742

Issue Submissions:		
No.:	Date:	Description:
	8/15/2012	Design Development Submission

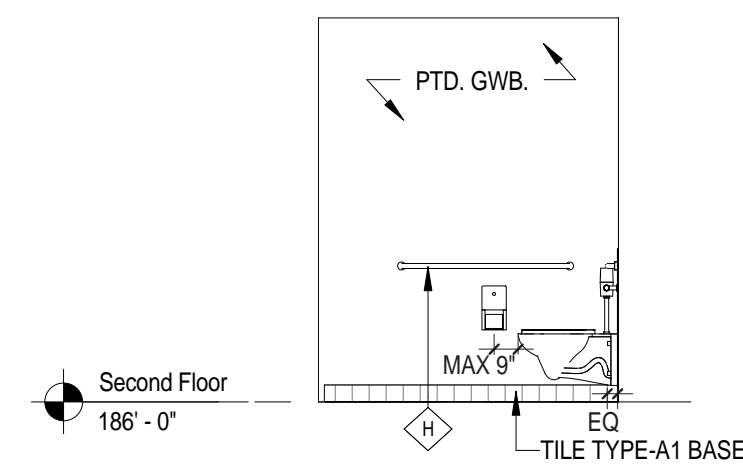
Title: **Toilet Rooms Plans and Elevations**
 Project No.: **1102.00**
 Drawing No.: **A10.2**
 Date: August 15, 2012 Scale: 1/4" = 1'-0" Drawn: MD/BC Checked: jff/rs
 © omr architects inc



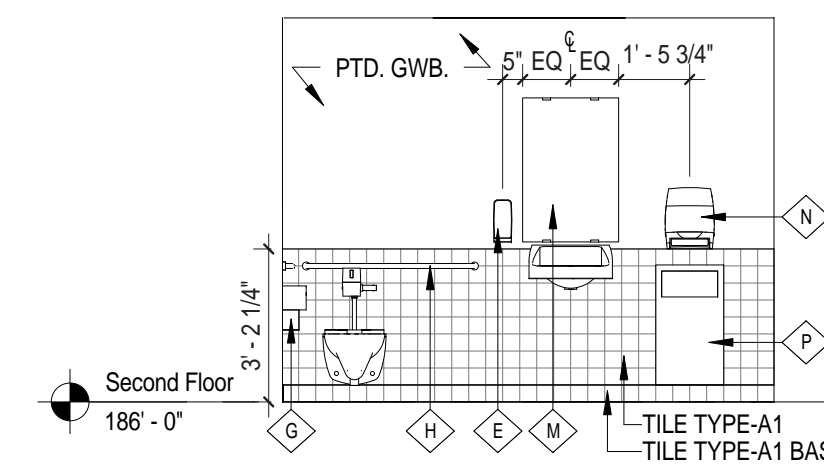
K TOILET ROOM - A233G
1/4" = 1'-0"



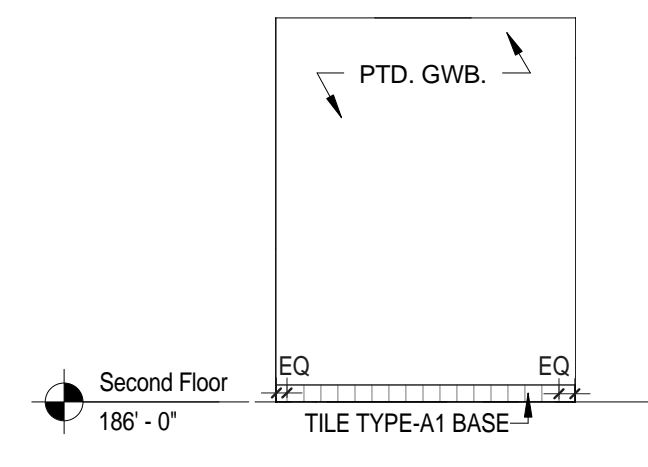
21 TOILET ROOM - A233G
1/4" = 1'-0"



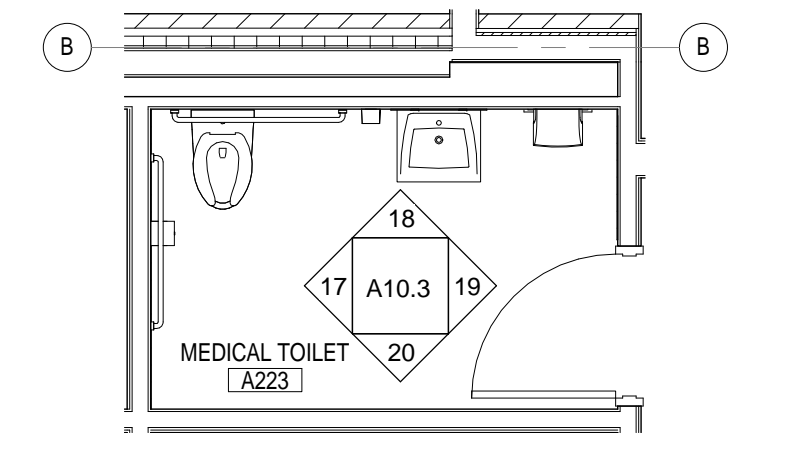
22 TOILET ROOM - A233G
1/4" = 1'-0"



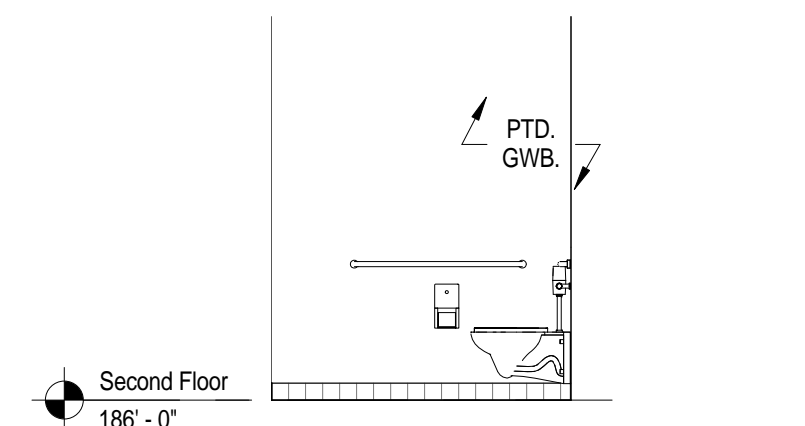
23 TOILET ROOM - A233G
1/4" = 1'-0"



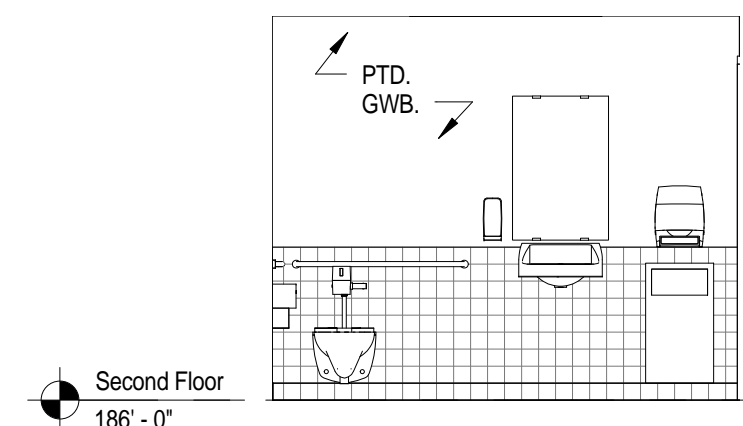
24 TOILET ROOM - A233G
1/4" = 1'-0"



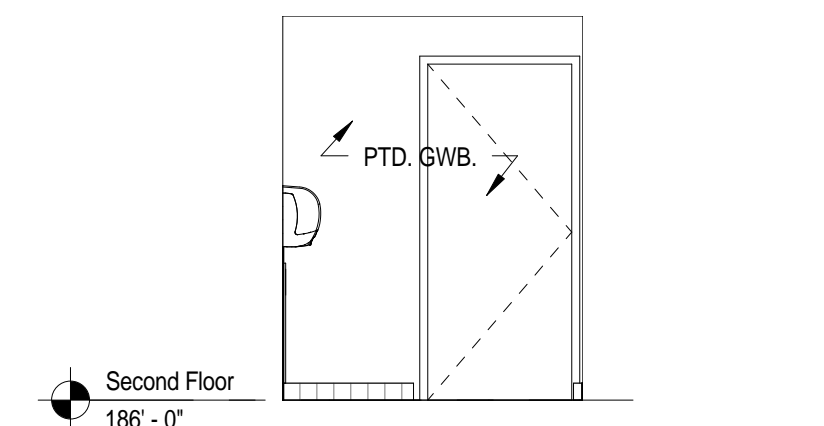
J TYP. TOILET ROOM - A223
1/4" = 1'-0"



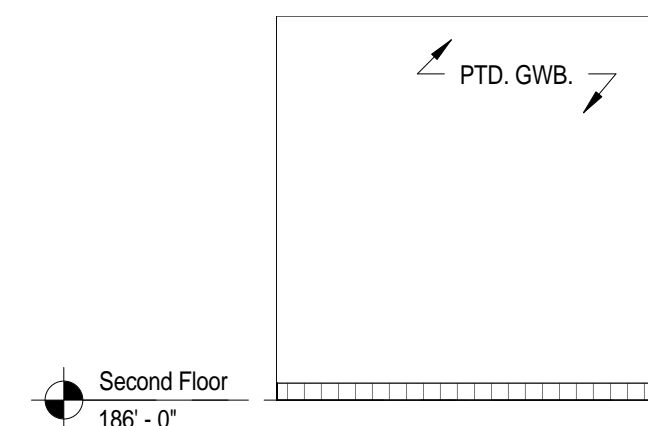
17 NURSE TOILET ROOM - A223
1/4" = 1'-0"



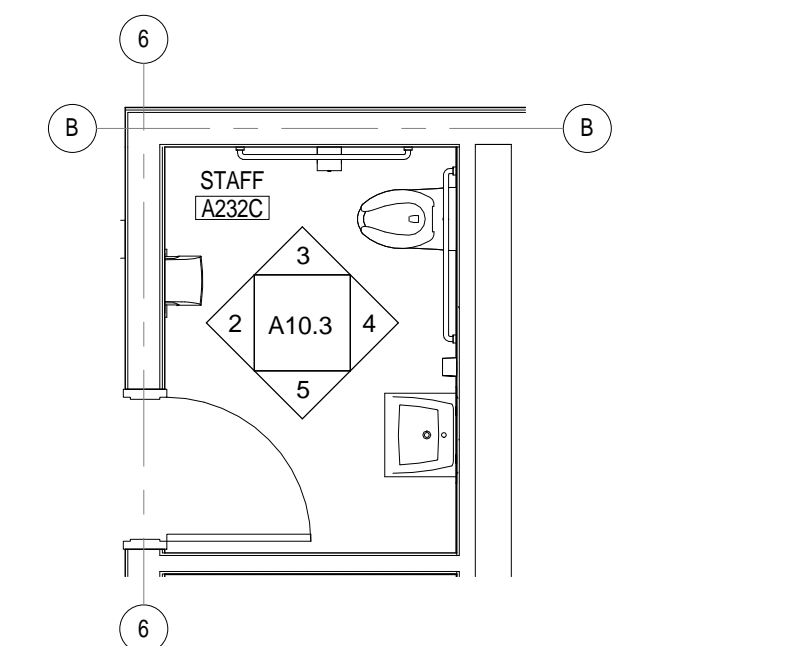
18 NURSE TOILET ROOM - A223
1/4" = 1'-0"



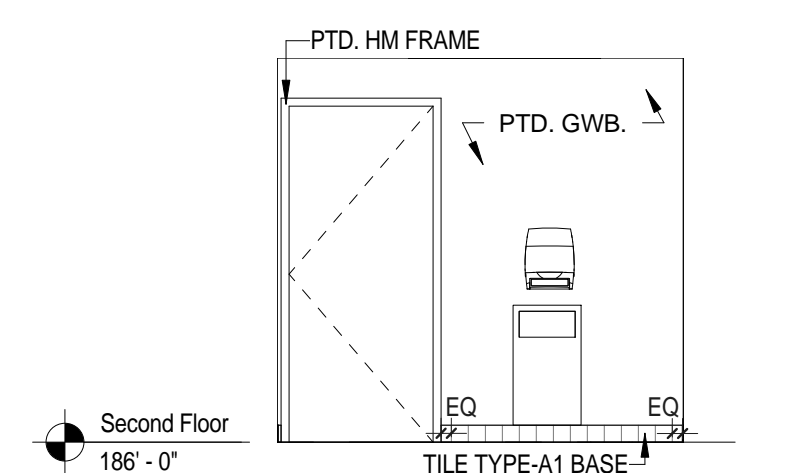
19 NURSE TOILET ROOM - A223
1/4" = 1'-0"



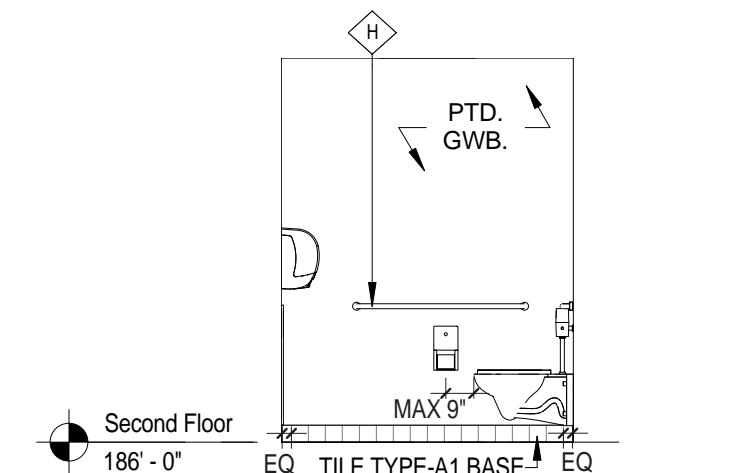
20 NURSE TOILET ROOM - A223
1/4" = 1'-0"



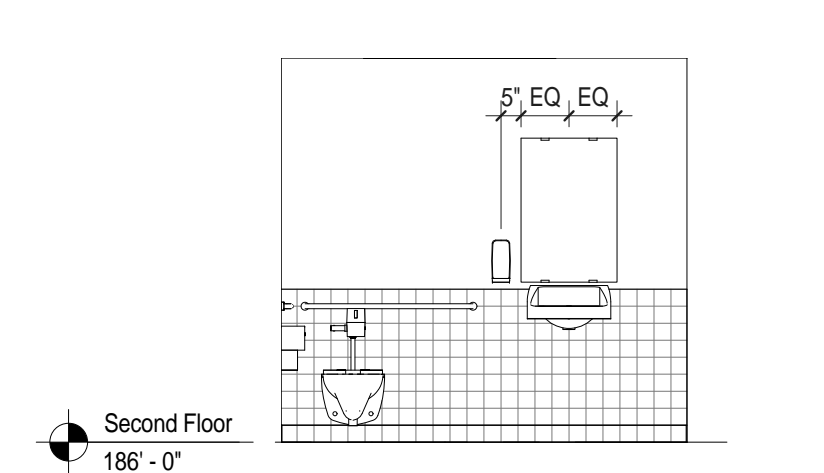
1 ADMIN TOILET
1/4" = 1'-0" TOILET ROOM (A232C) OH (A231)



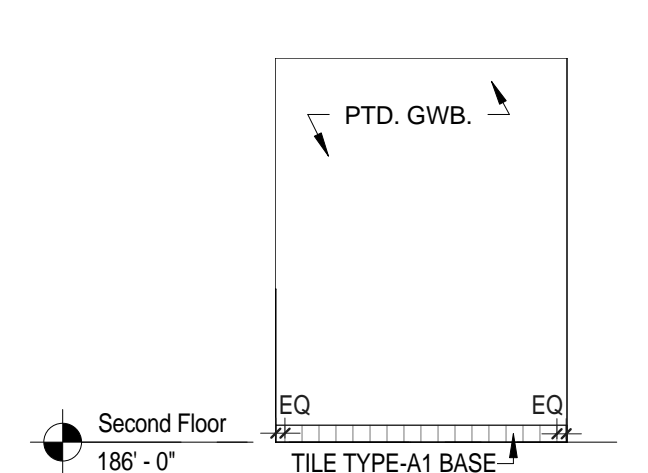
2 ADMIN TOILET - A232C
1/4" = 1'-0" TOILET ROOM (A232C) OH (A231)



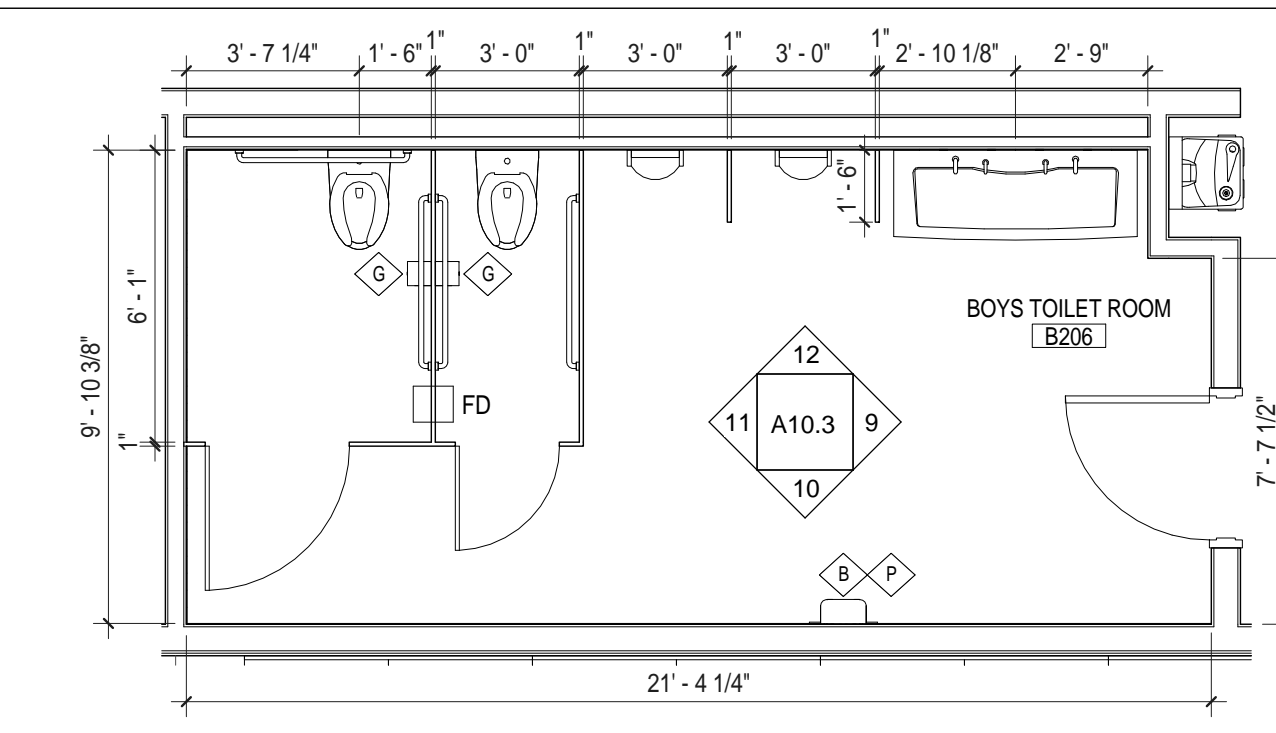
3 ADMIN TOILET - A232C
1/4" = 1'-0" TOILET ROOM (A232C) OH (A231)



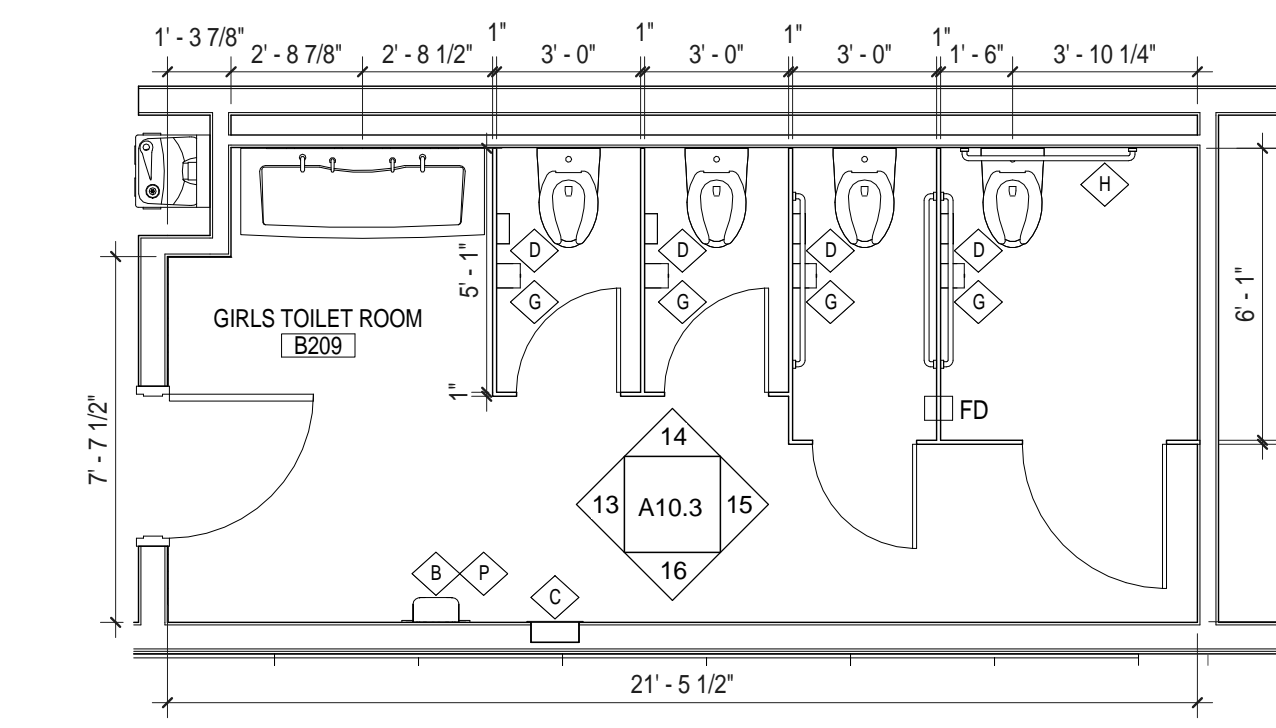
4 ADMIN TOILET - A232C
1/4" = 1'-0" TOILET ROOM (A232C) OH (A231)



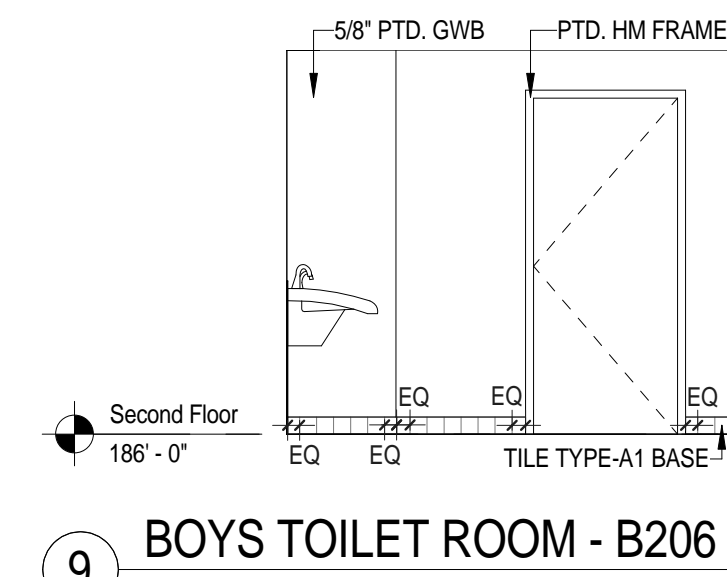
5 ADMIN TOILET - A232C
1/4" = 1'-0" TOILET ROOM (A232C) OH (A231)



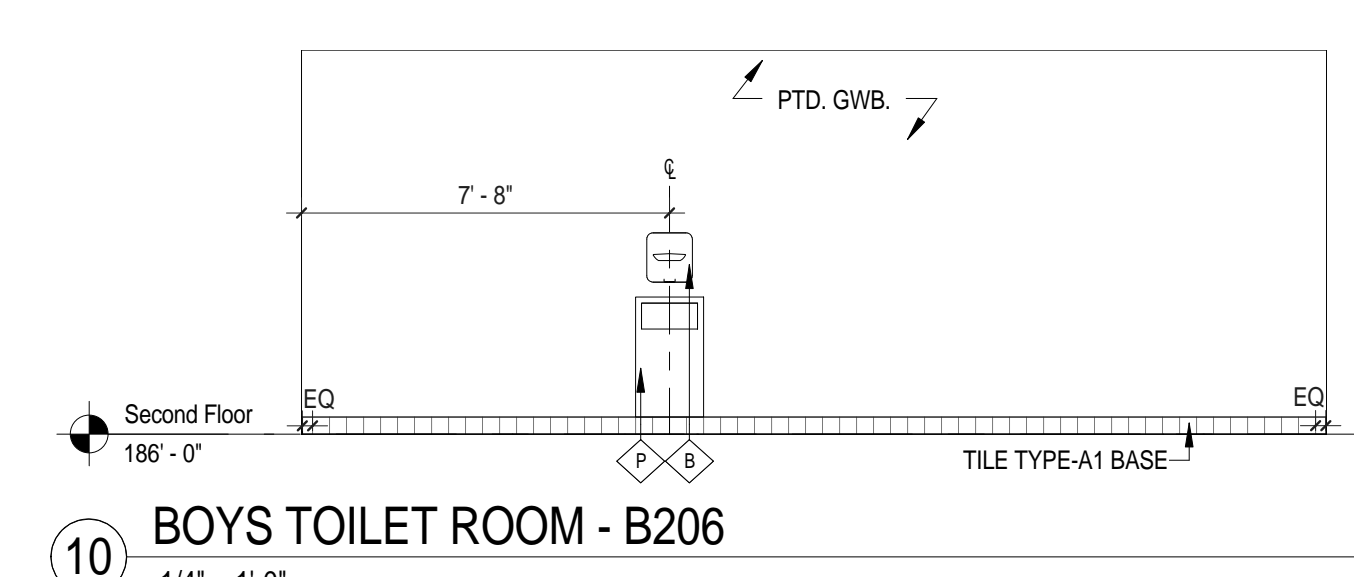
G BOYS TOILET ROOM - B206
1/4" = 1'-0"



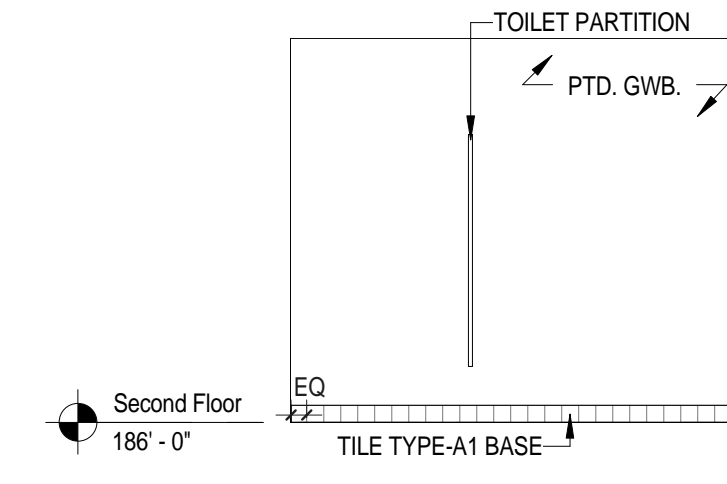
H GIRLS TOILET ROOM - B209
1/4" = 1'-0"



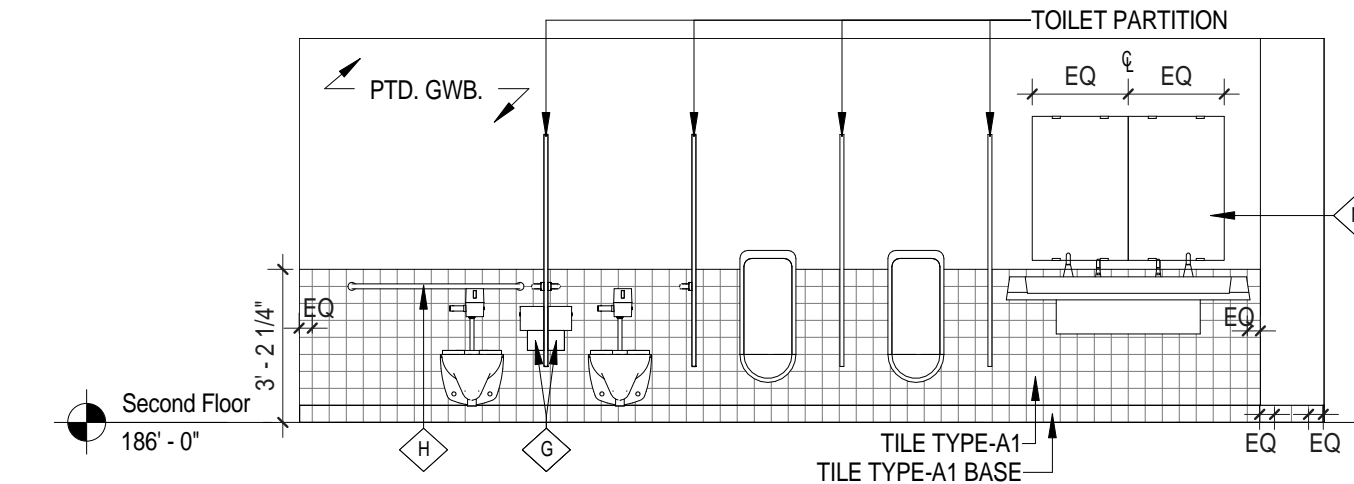
9 BOYS TOILET ROOM - B206
1/4" = 1'-0"



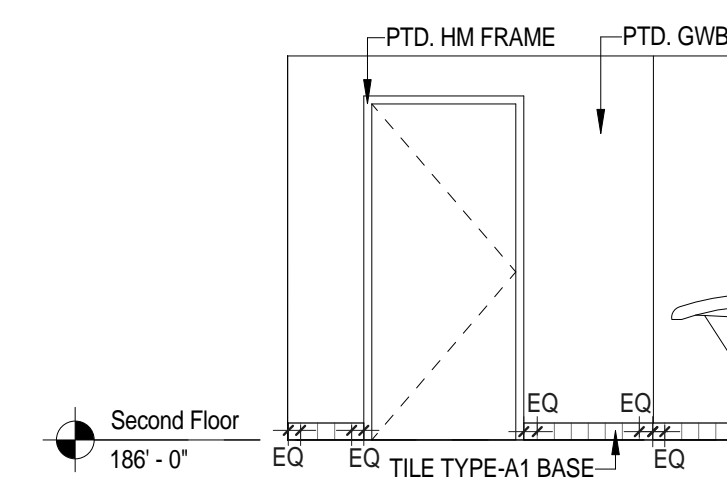
10 BOYS TOILET ROOM - B206
1/4" = 1'-0"



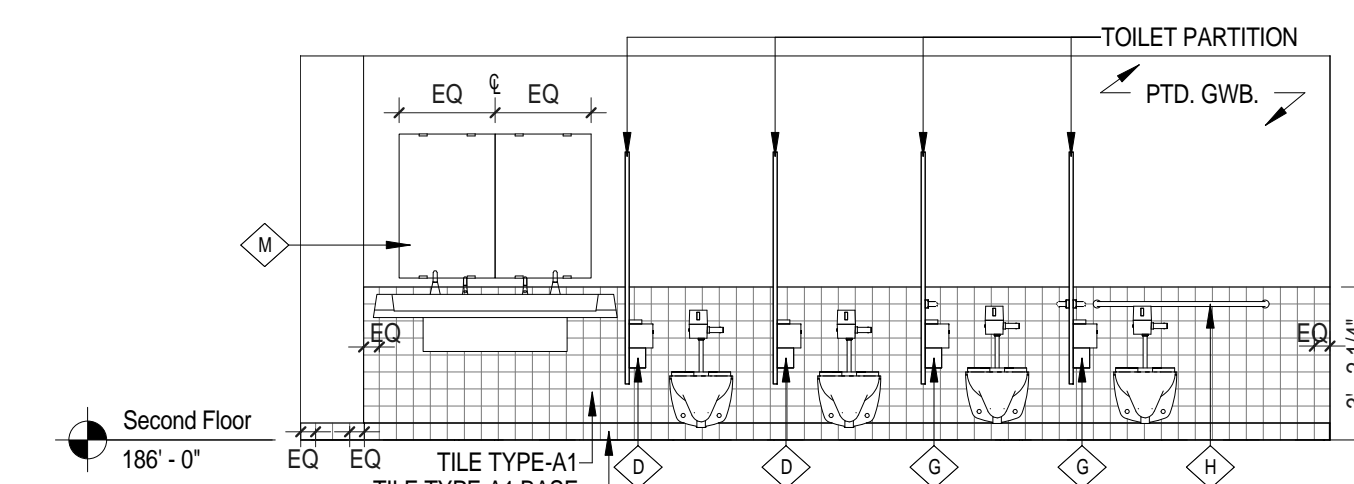
11 BOYS TOILET ROOM - B206
1/4" = 1'-0"



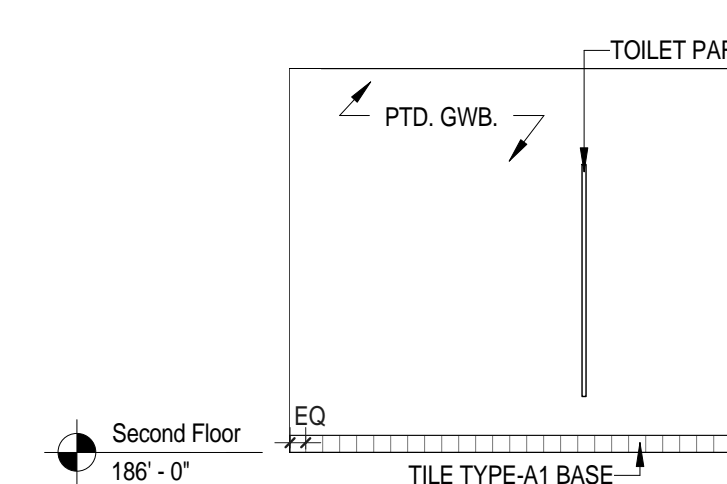
12 BOYS TOILET ROOM - B206
1/4" = 1'-0"



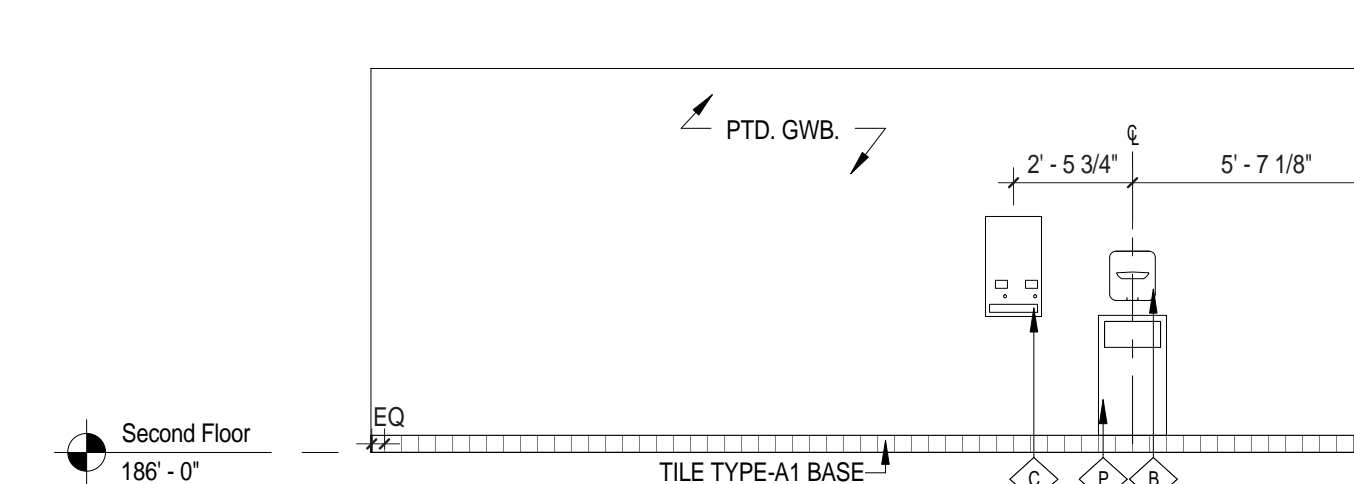
13 GIRLS TOILET ROOM - B209
1/4" = 1'-0"



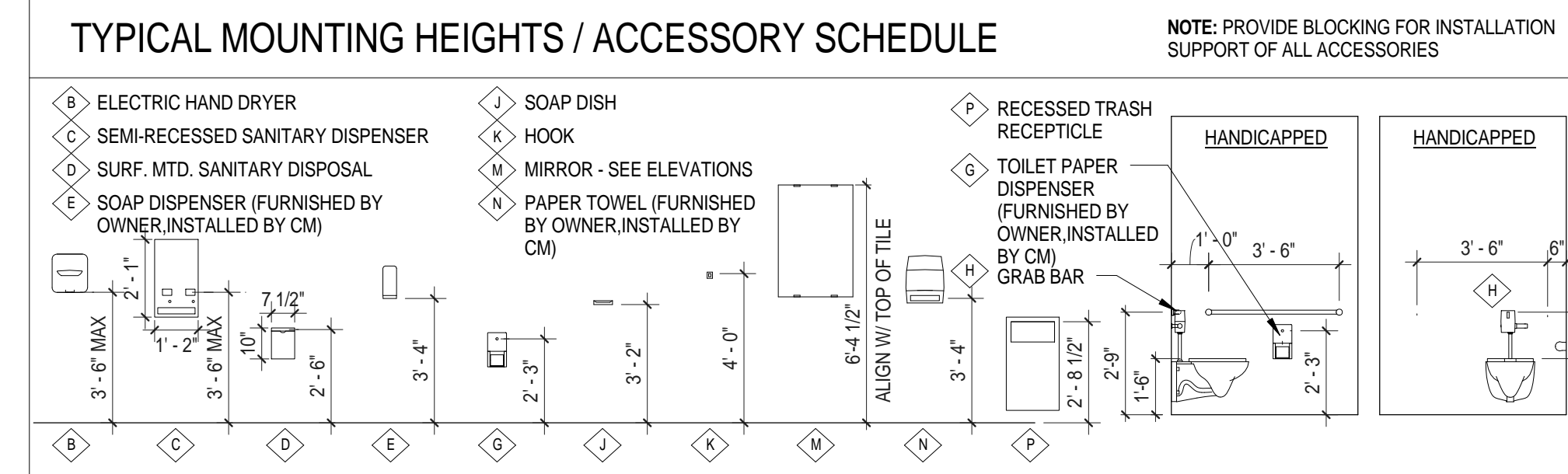
14 GIRLS TOILET ROOM - B209
1/4" = 1'-0"



15 GIRLS TOILET ROOM - B209
1/4" = 1'-0"

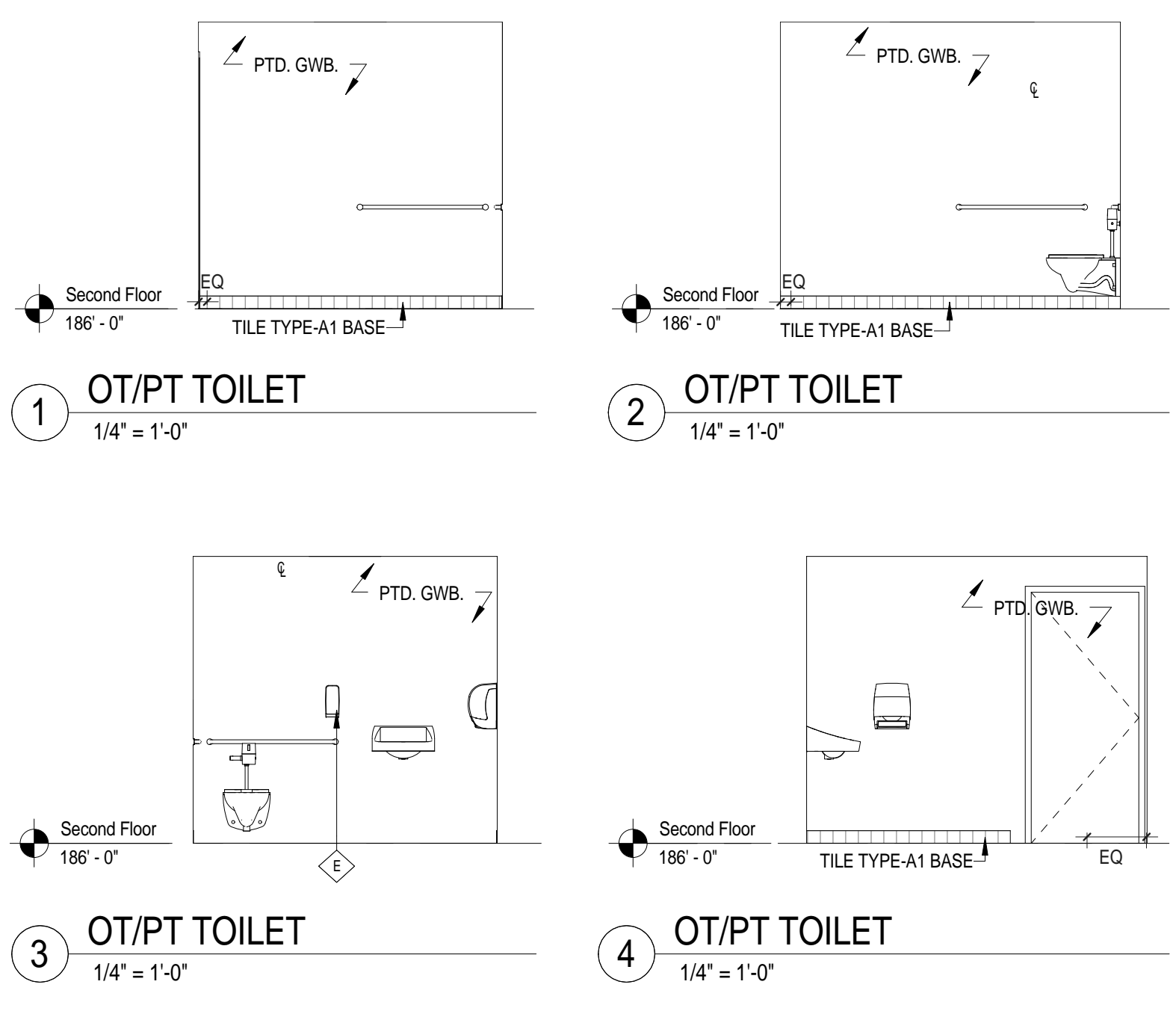
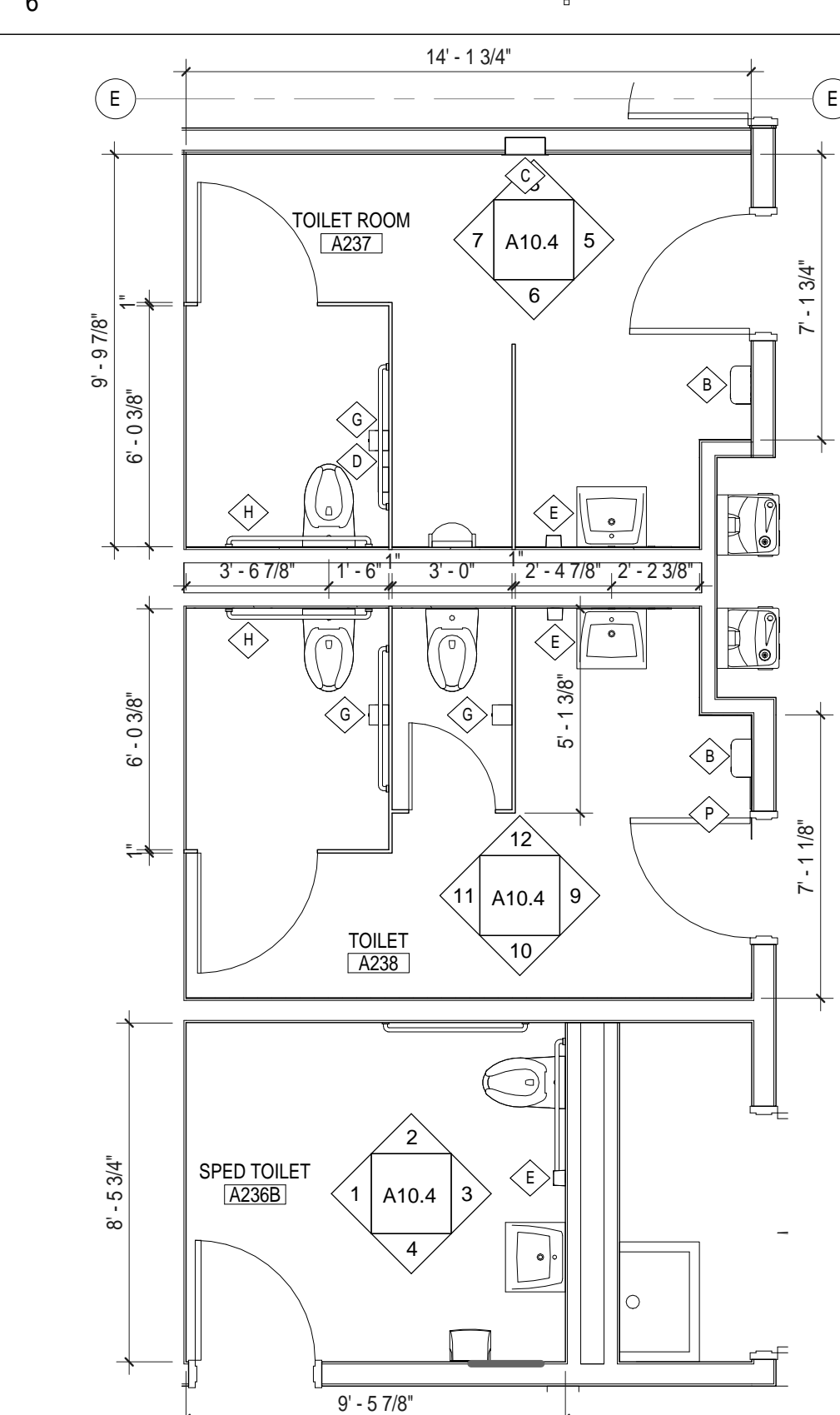


16 GIRLS TOILET ROOM - B209
1/4" = 1'-0"

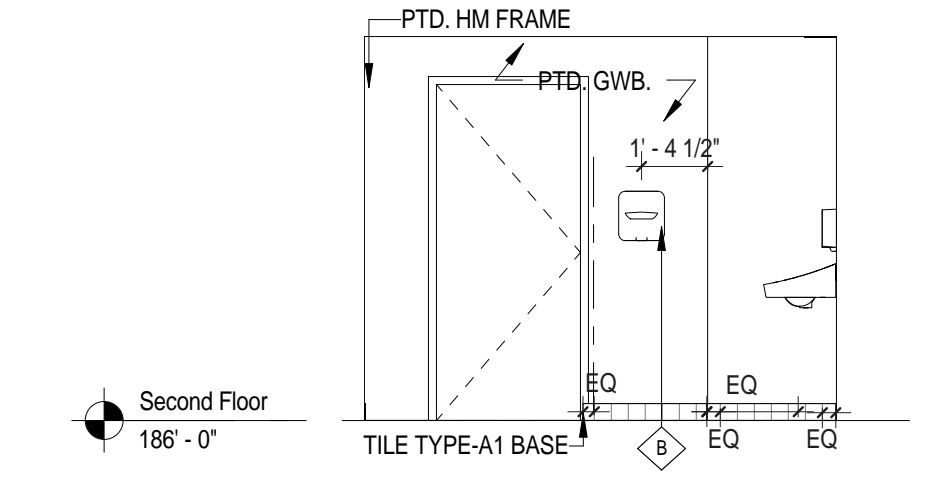


C:\Users\jwall\Documents\Concord Carlisle HS_CENTRAL\Arch\102012_42545 PM Toilets Plans and Elevations.dwg (Printed: 8/15/2012 4:25:45 PM)

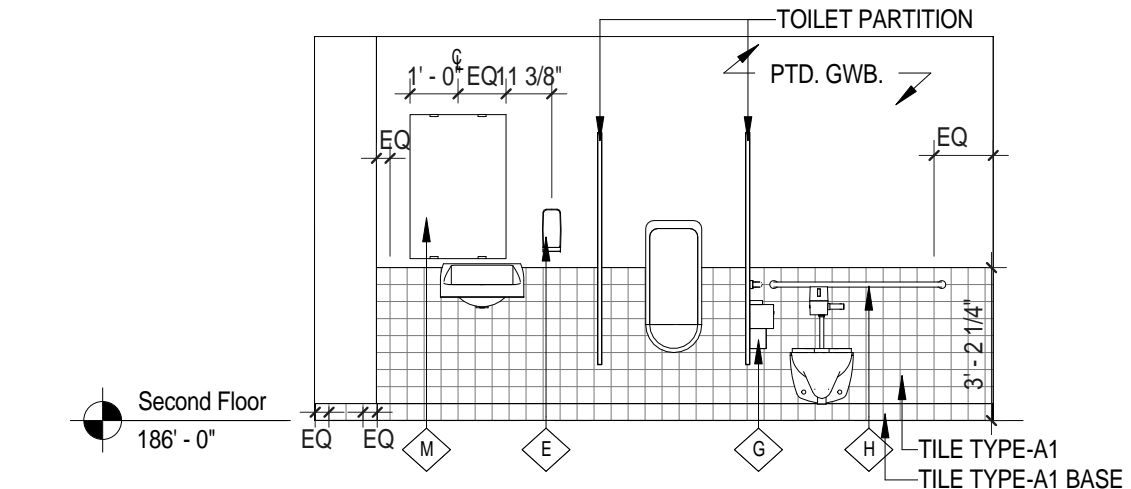
Architect: omr architects inc 543 Massachusetts Ave, West Acton, MA 01720 www.omr-architects.com t: 978.264.0160	Consulting Engineer:	Registration: <i>Design Development Submission</i>	Project Name and Address: Concord-Carlisle Regional High School 500 Walden Street Concord, MA 01742	Issue Submissions: No.: Date: Description: 8/15/2012 Design Development Submission	Title: Toilet Rooms Plans and Elevations	Project No.: 1102.00 Drawing No.: A10.3 © omr architects inc
Date: August 15, 2012 Scale: 1/4" = 1'-0" Drawn: MD/BC Checked: jrf/rs						



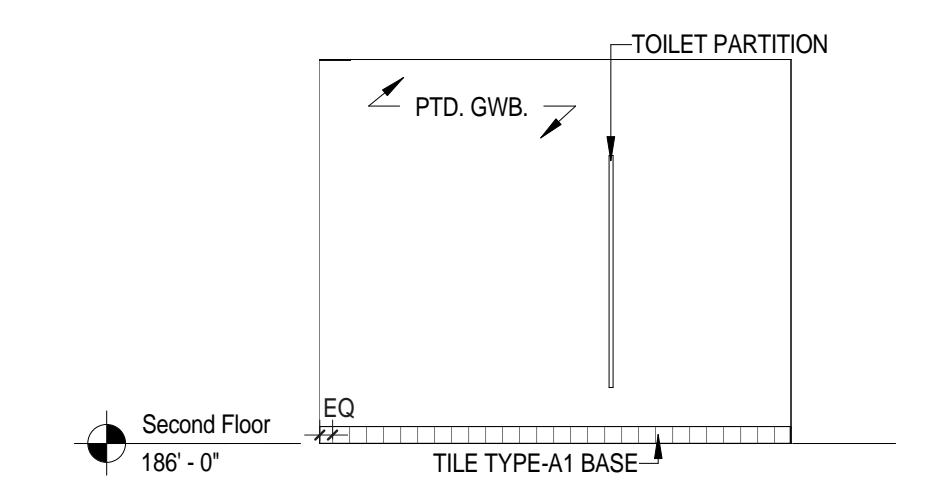
L GIRLS TOILET - A237, BOYS TOILET - A238, OT/PT TOILET
1/4" = 1'-0"



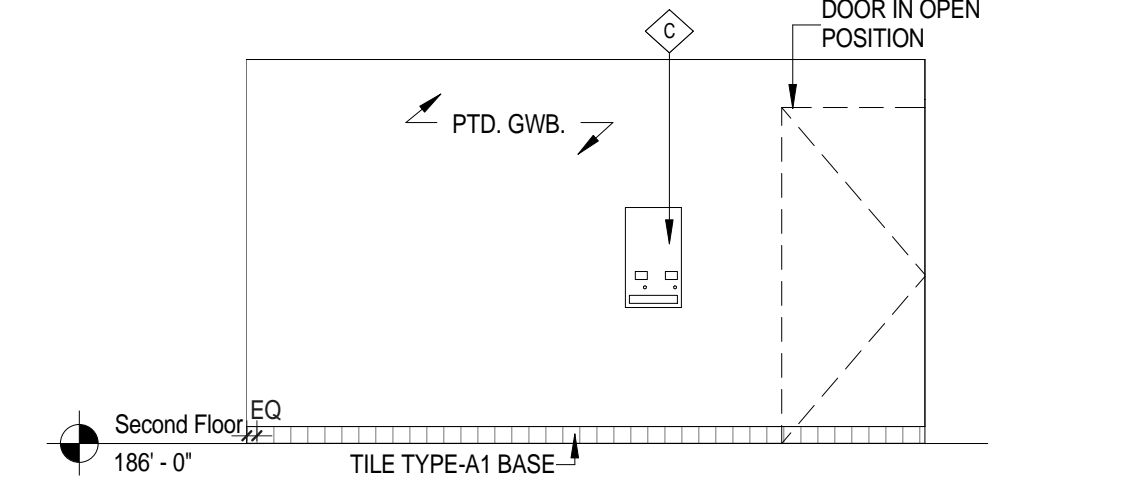
5 GIRLS TOILET - A237
1/4" = 1'-0"



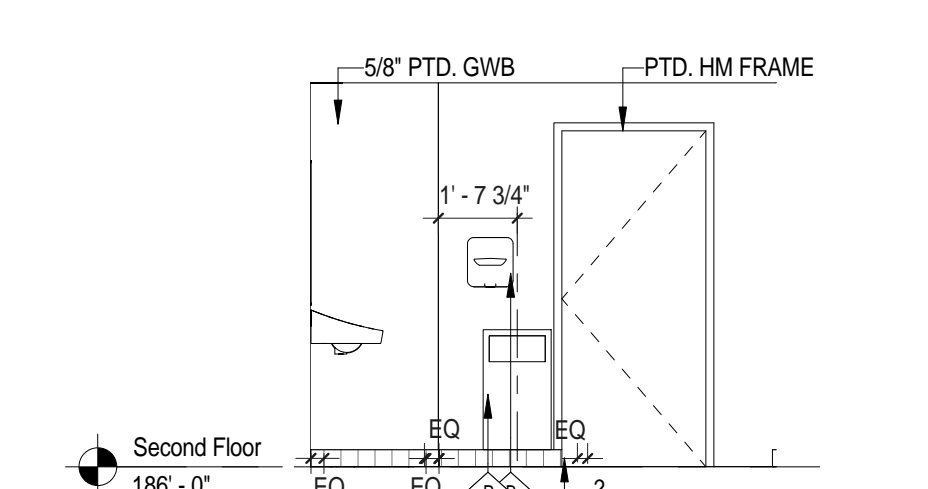
6 GIRLS TOILET - A237
1/4" = 1'-0"



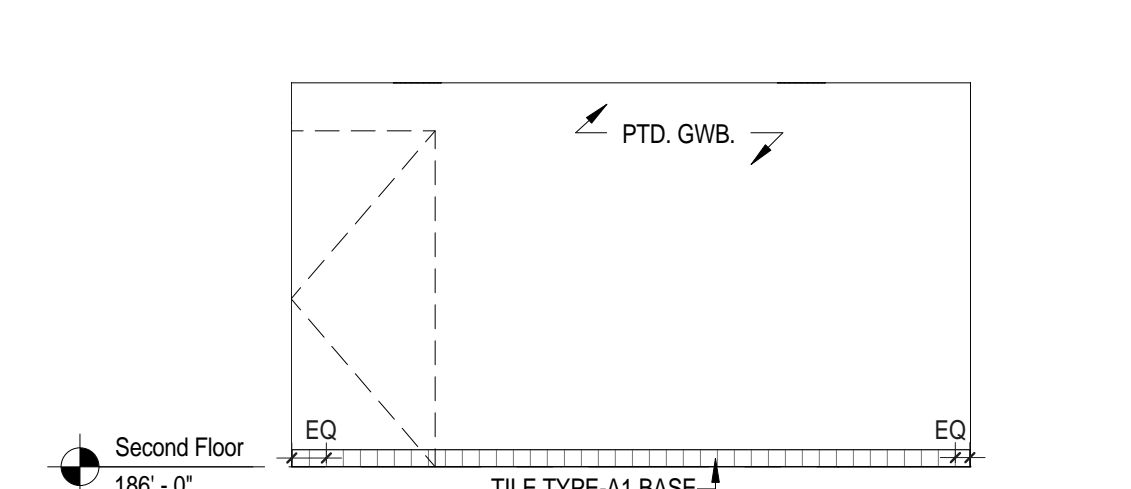
7 GIRLS TOILET - A237
1/4" = 1'-0"



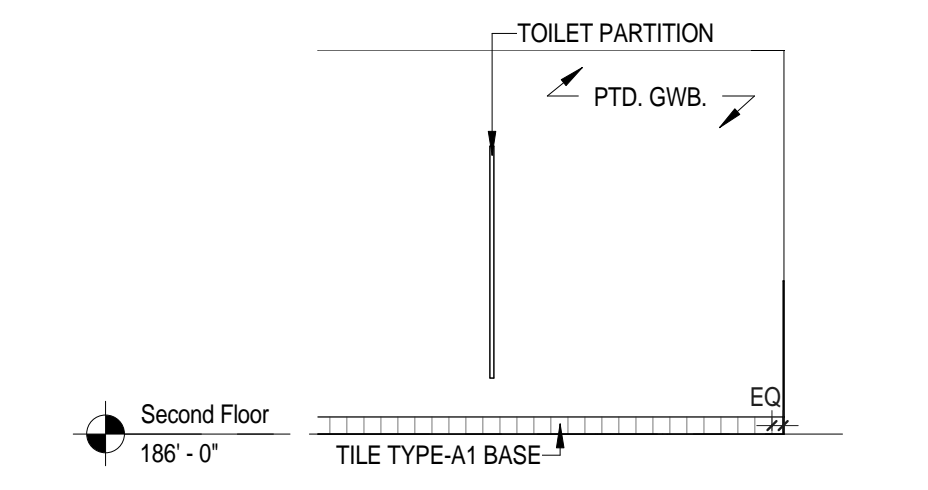
8 GIRLS TOILET - A237
1/4" = 1'-0"



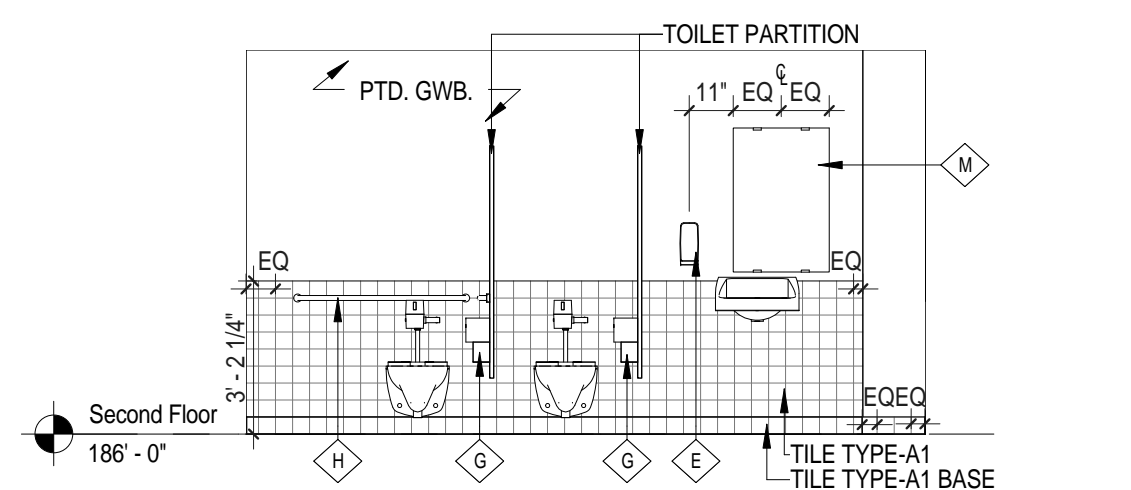
9 BOYS TOILET - A238
1/4" = 1'-0"



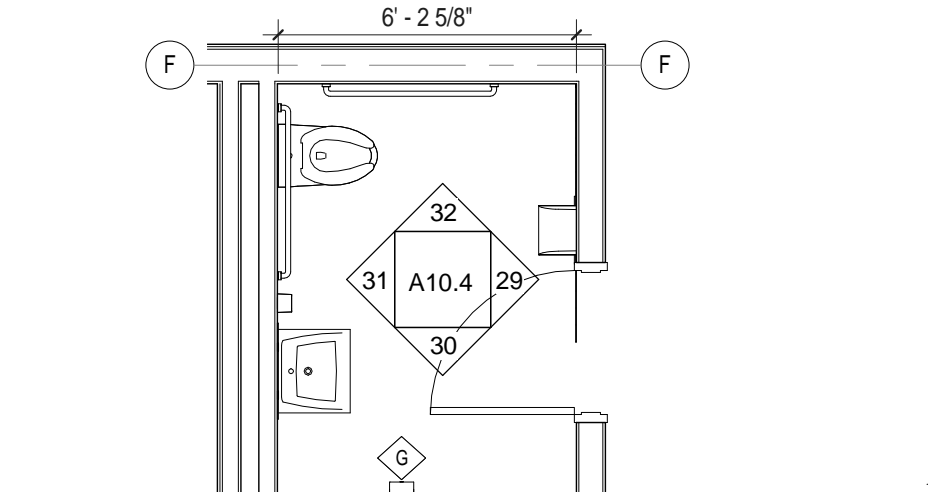
10 BOYS TOILET - A238
1/4" = 1'-0"



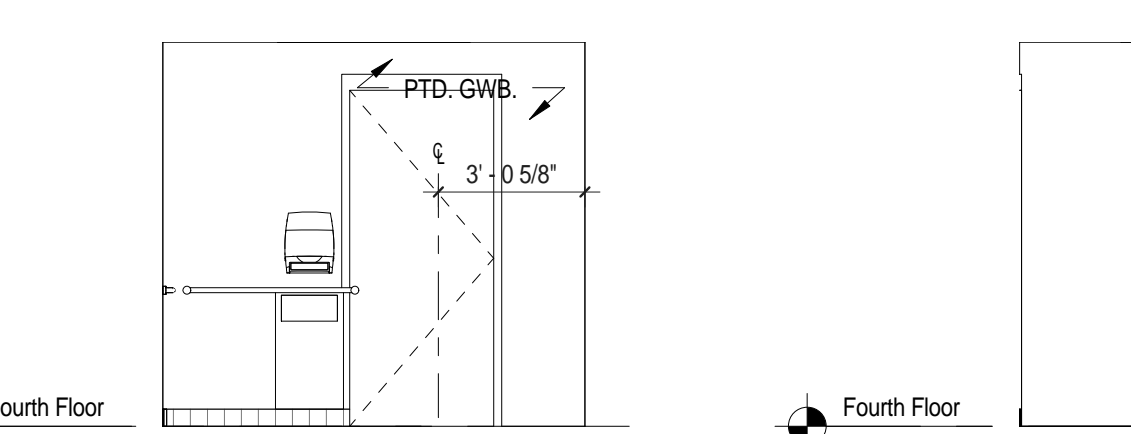
11 BOYS TOILET - A238
1/4" = 1'-0"



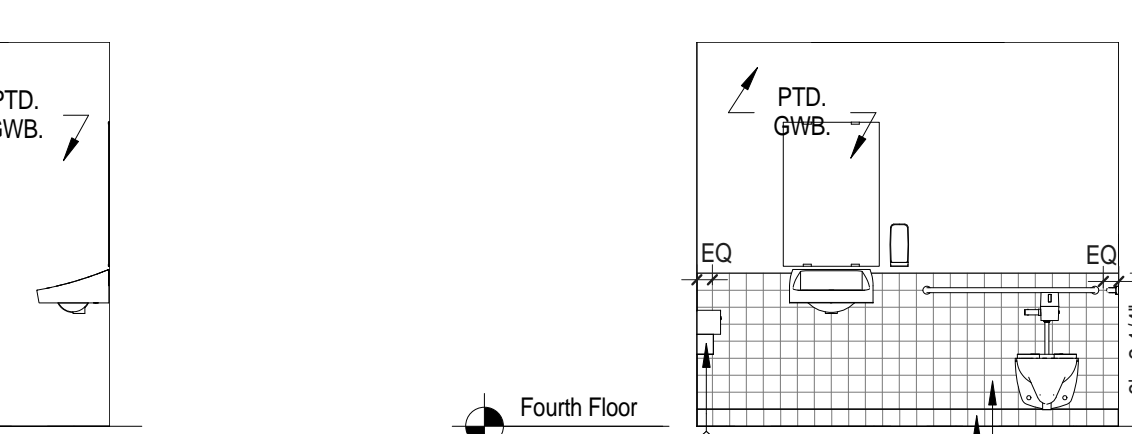
12 BOYS TOILET - A238
1/4" = 1'-0"



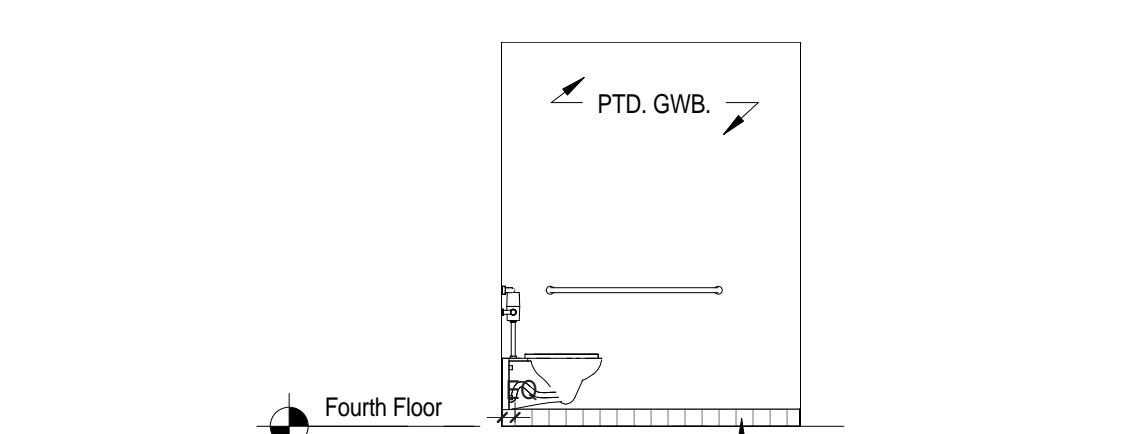
P STAFF TOILET - B418
1/4" = 1'-0" STAFF TOILET (B418, B318)



29 STAFF TOILET - B418
1/4" = 1'-0" STAFF TOILET (B418, B318)



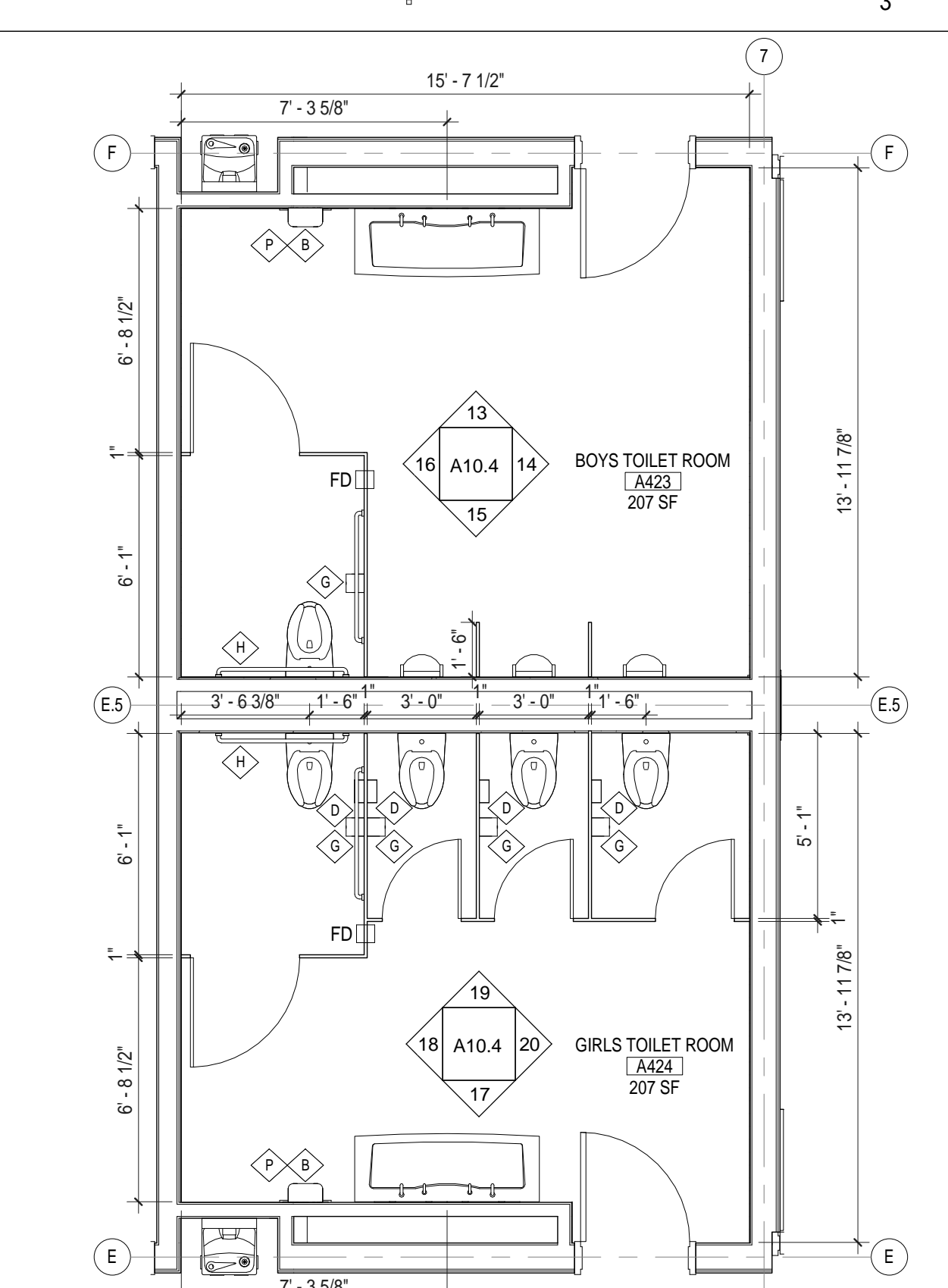
30 STAFF TOILET - B418
1/4" = 1'-0" STAFF TOILET (B418, B318)



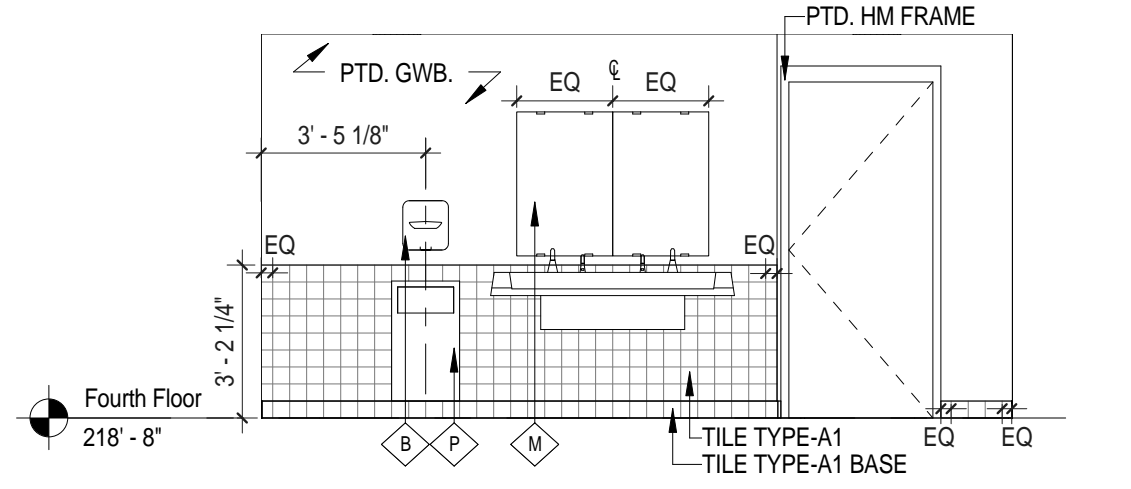
31 STAFF TOILET - B418
1/4" = 1'-0" STAFF TOILET (B418, B318)



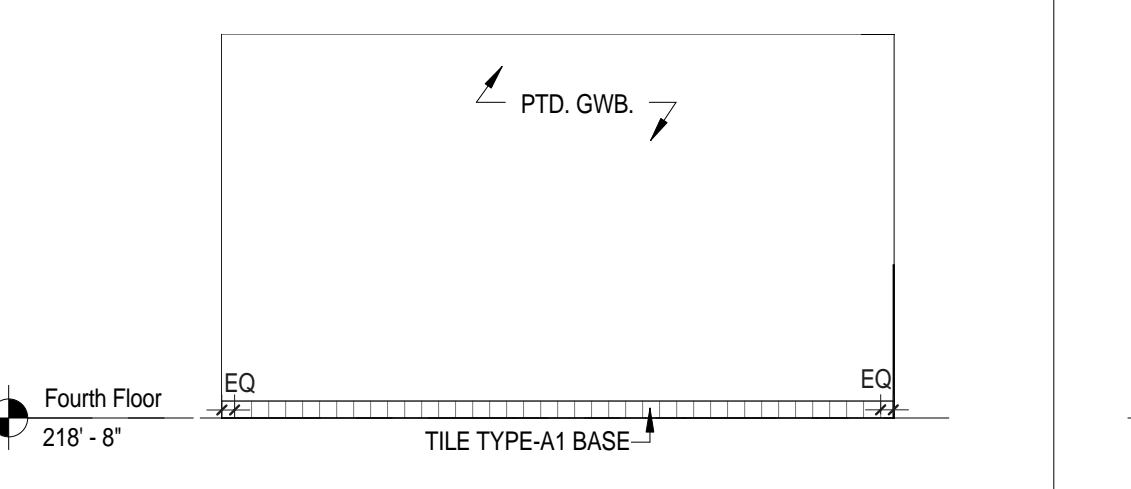
32 STAFF TOILET - B418
1/4" = 1'-0" STAFF TOILET (B418, B318)



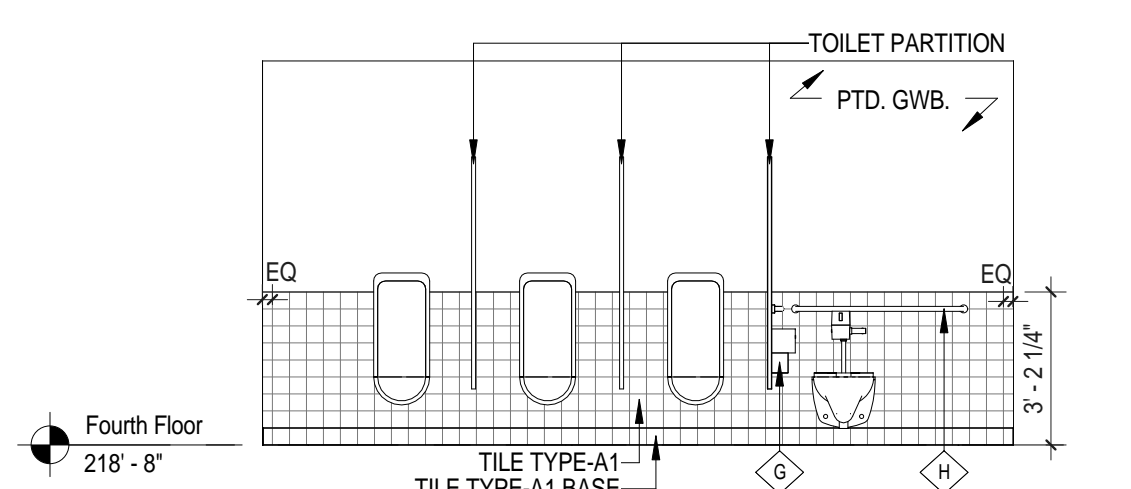
M TYP. CORE BOYS TOILET A423 & TYP. CORE GIRLS TOILET A424
1/4" = 1'-0" CORE BOYS TOILET (A423, A323) OH (B420, B319)
CORE GIRLS TOILET (A424, A324) OH (B421, B320)



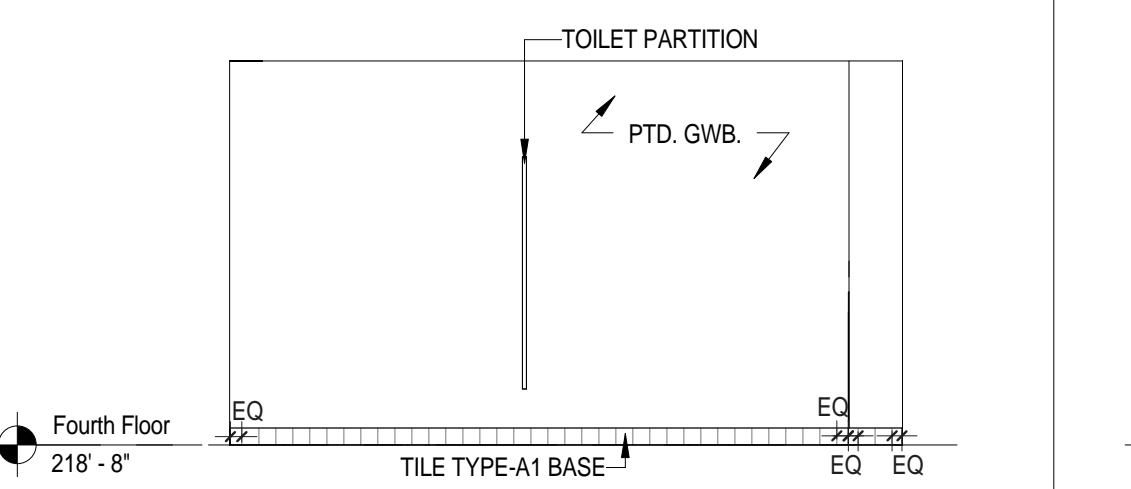
13 TYP. CORE BOYS TOILET A423
1/4" = 1'-0" CORE BOYS TOILET (A423, A323) OH (B420, B319)



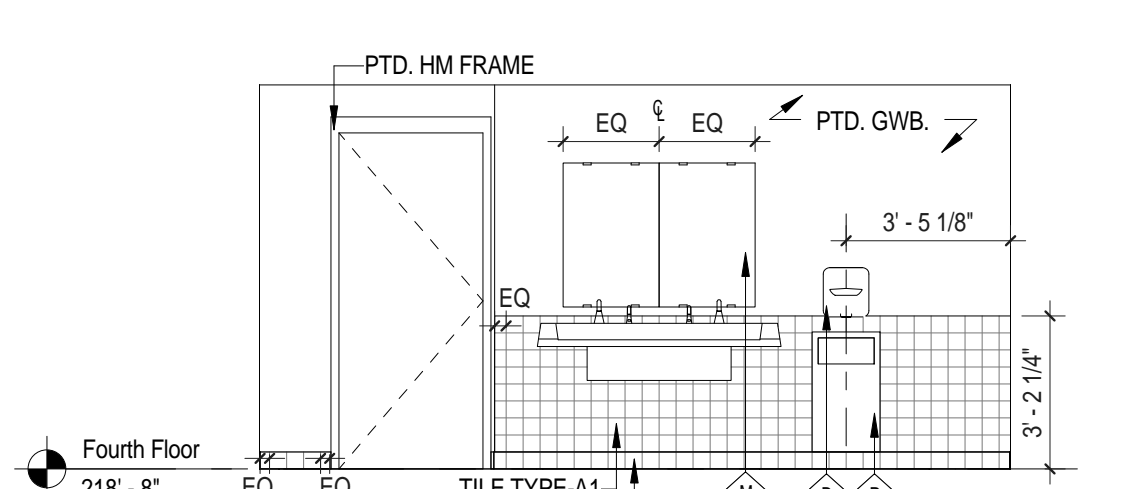
14 TYP. CORE BOYS TOILET A423
1/4" = 1'-0" CORE BOYS TOILET (A423, A323) OH (B420, B319)



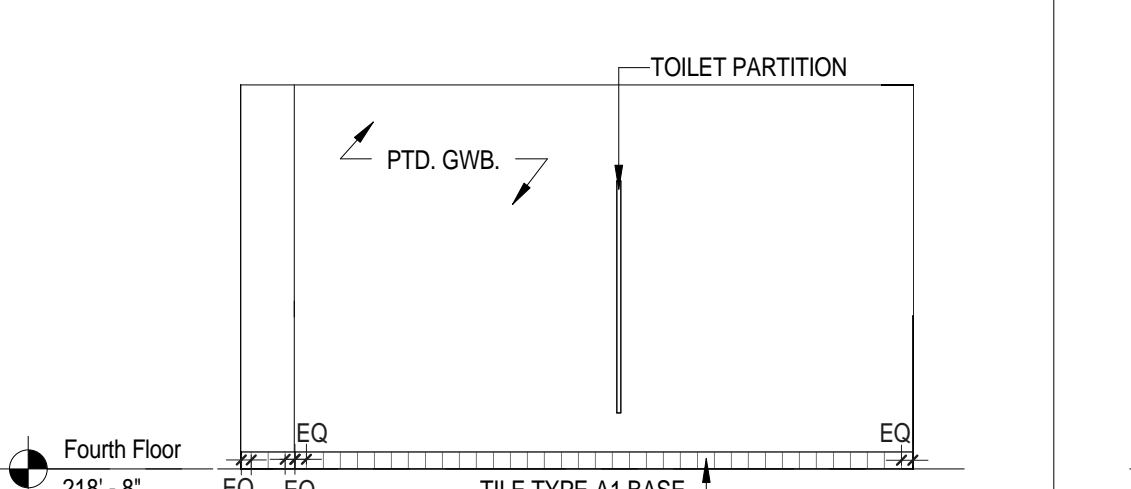
15 TYP. CORE BOYS TOILET A423
1/4" = 1'-0" CORE BOYS TOILET (A423, A323) OH (B420, B319)



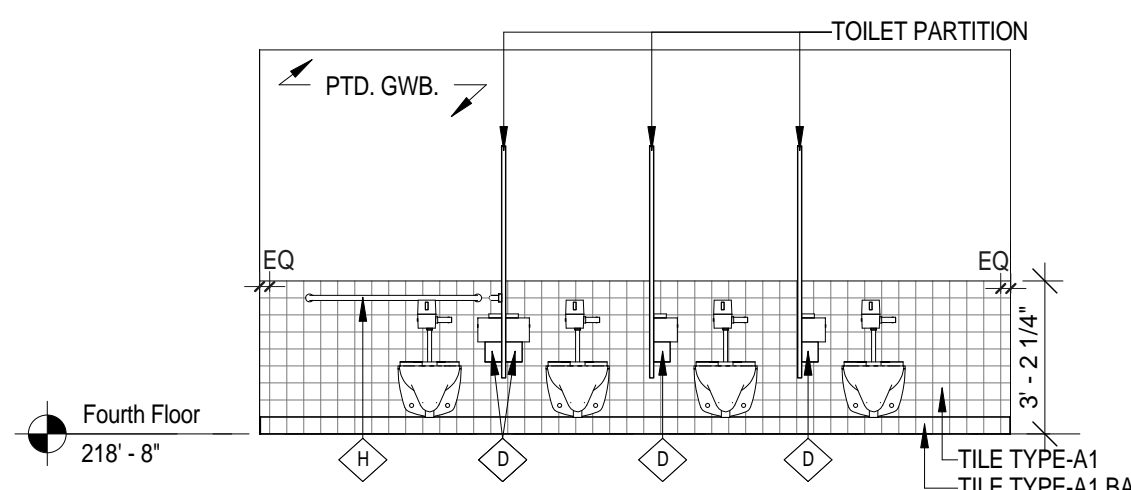
16 TYP. CORE BOYS TOILET A423
1/4" = 1'-0" CORE BOYS TOILET (A423, A323) OH (B420, B319)



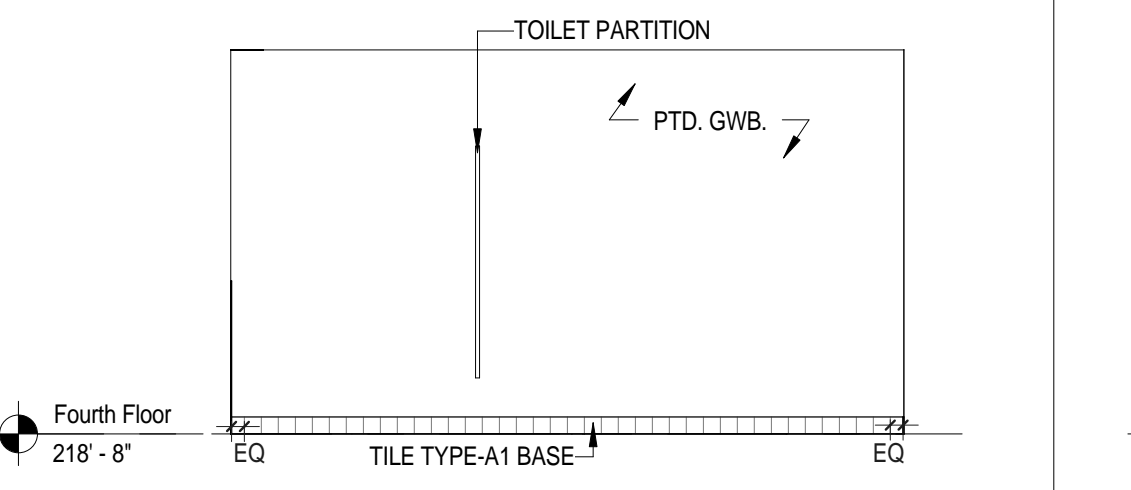
17 TYP. CORE GIRLS TOILET A424
1/4" = 1'-0" CORE GIRLS TOILET (A424, A324) OH (B421, B320)



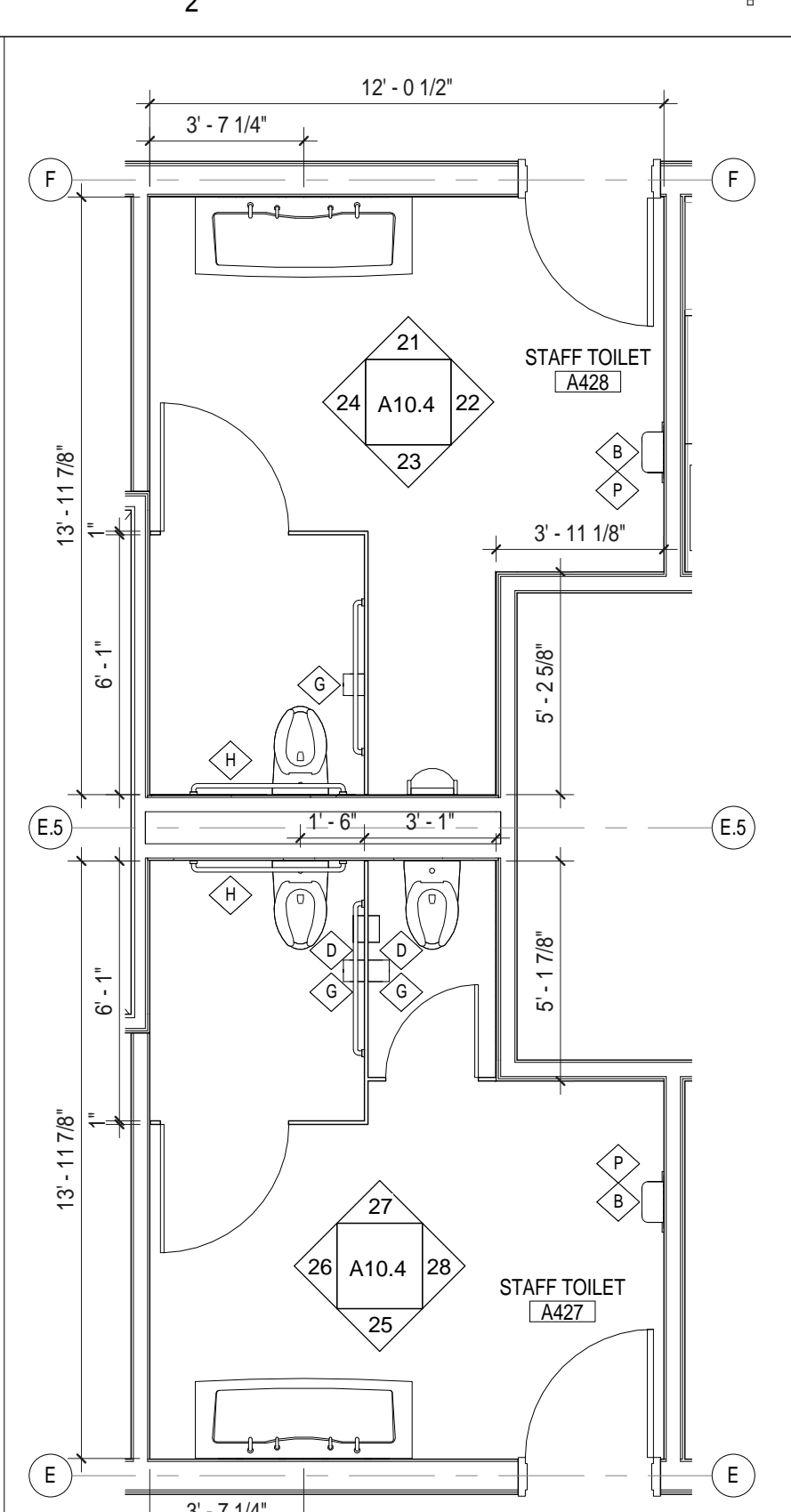
18 TYP. CORE GIRLS TOILET A424
1/4" = 1'-0" CORE GIRLS TOILET (A424, A324) OH (B421, B320)



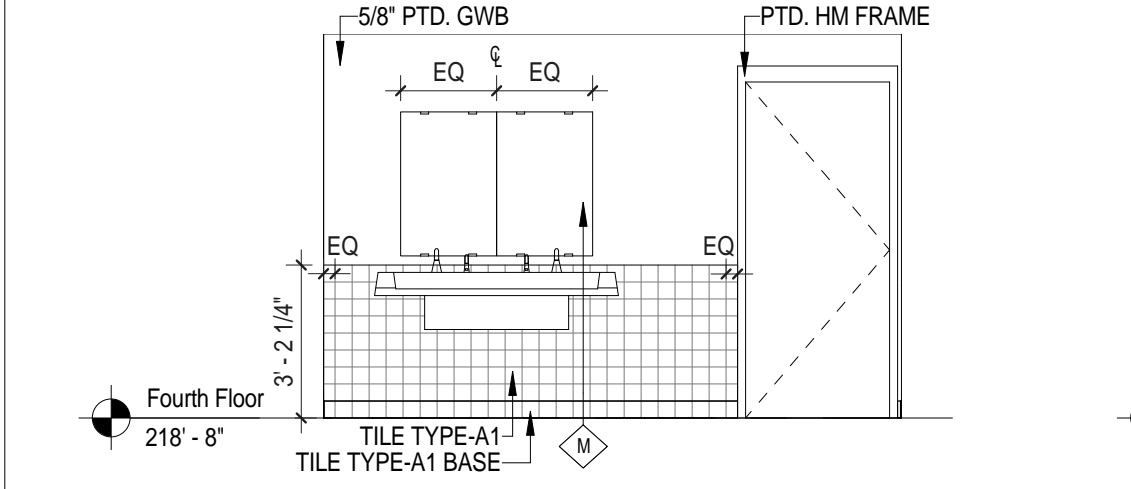
19 TYP. CORE GIRLS TOILET A424
1/4" = 1'-0" CORE GIRLS TOILET (A424, A324) OH (B421, B320)



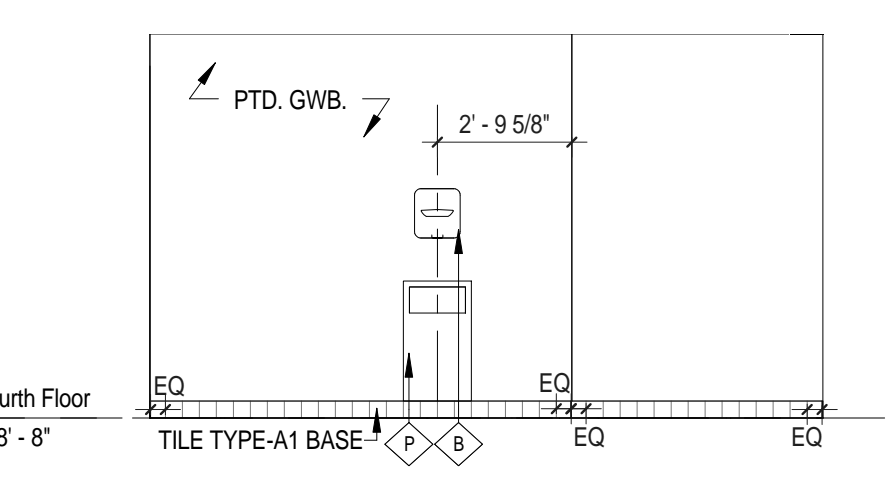
20 TYP. CORE GIRLS TOILET A424
1/4" = 1'-0" CORE GIRLS TOILET (A424, A324) OH (B421, B320)



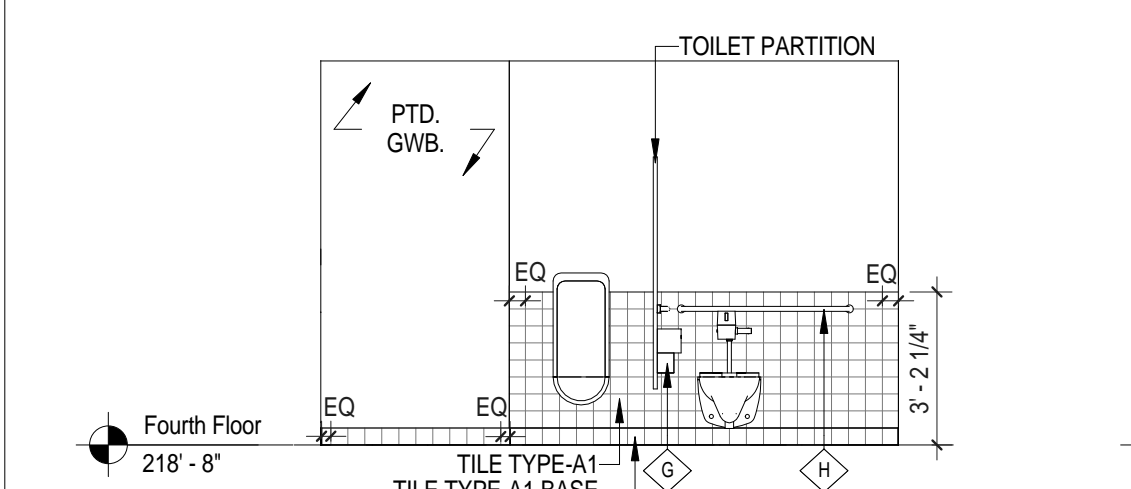
N TYP. CORE FACULTY TOILET - A428 & A427
1/4" = 1'-0" CORE M FACULTY TOILET (A428, A321C)
CORE F FACULTY TOILET (A427, A321D)



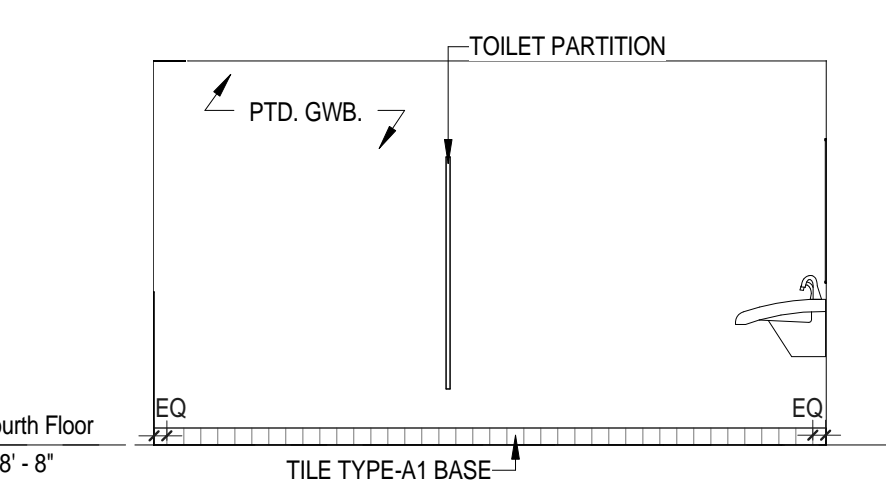
21 TYP. CORE M. FACULTY TOILET - A428
1/4" = 1'-0" CORE M. FACULTY TOILET (A428, A321C)



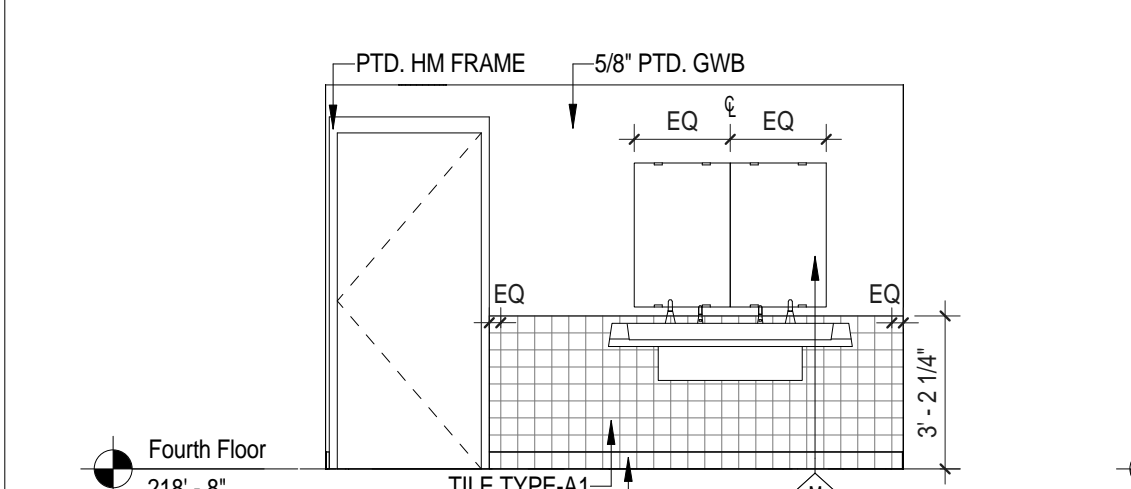
22 TYP. CORE M. FACULTY TOILET - A428
1/4" = 1'-0" CORE M. FACULTY TOILET (A428, A321C)



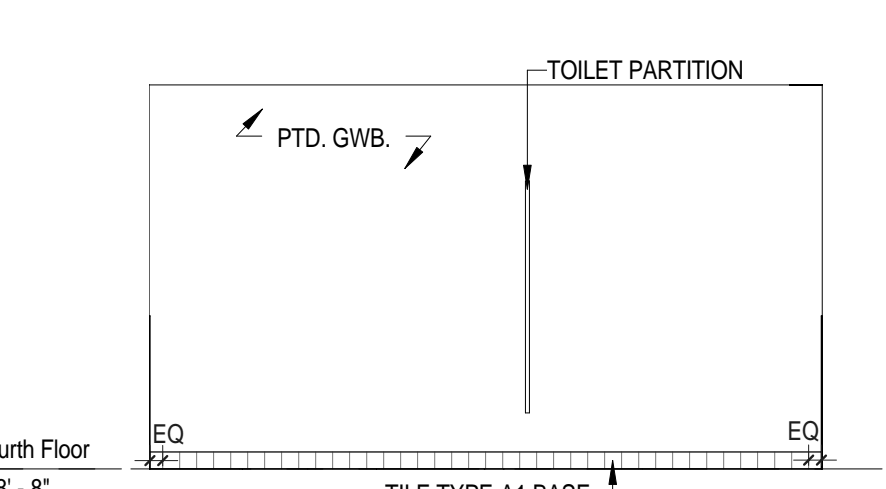
23 TYP. CORE M. FACULTY TOILET - A428
1/4" = 1'-0" CORE M. FACULTY TOILET (A428, A321C)



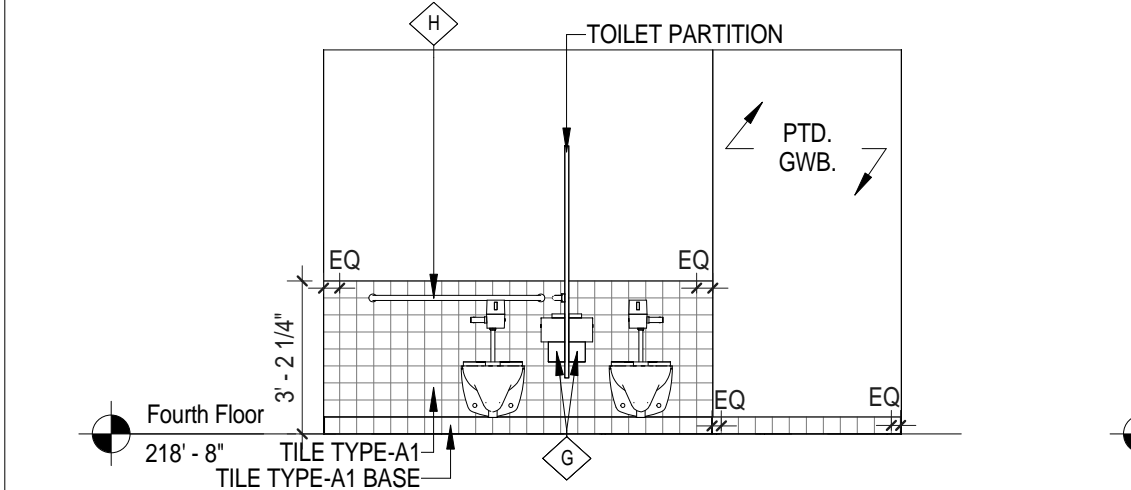
24 TYP. CORE M. FACULTY TOILET - A428
1/4" = 1'-0" CORE M. FACULTY TOILET (A428, A321C)



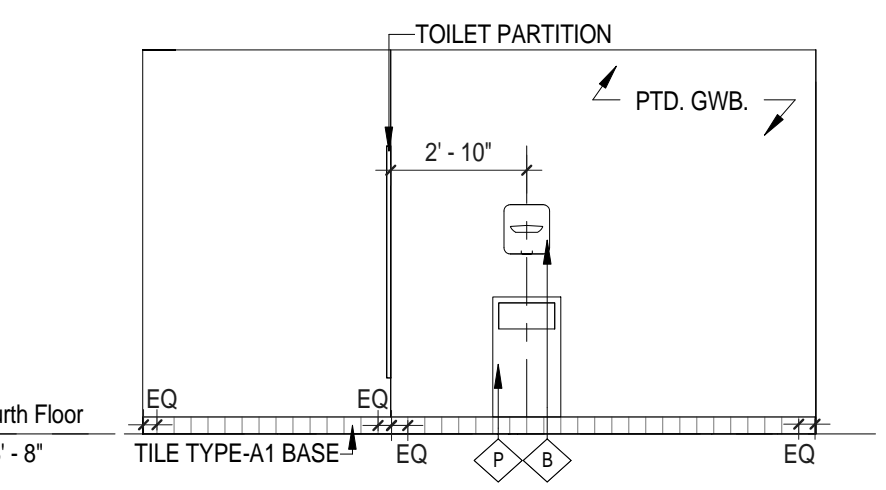
25 TYP. CORE F. FACULTY TOILET - A427
1/4" = 1'-0" CORE F. FACULTY TOILET (A427, A321D)



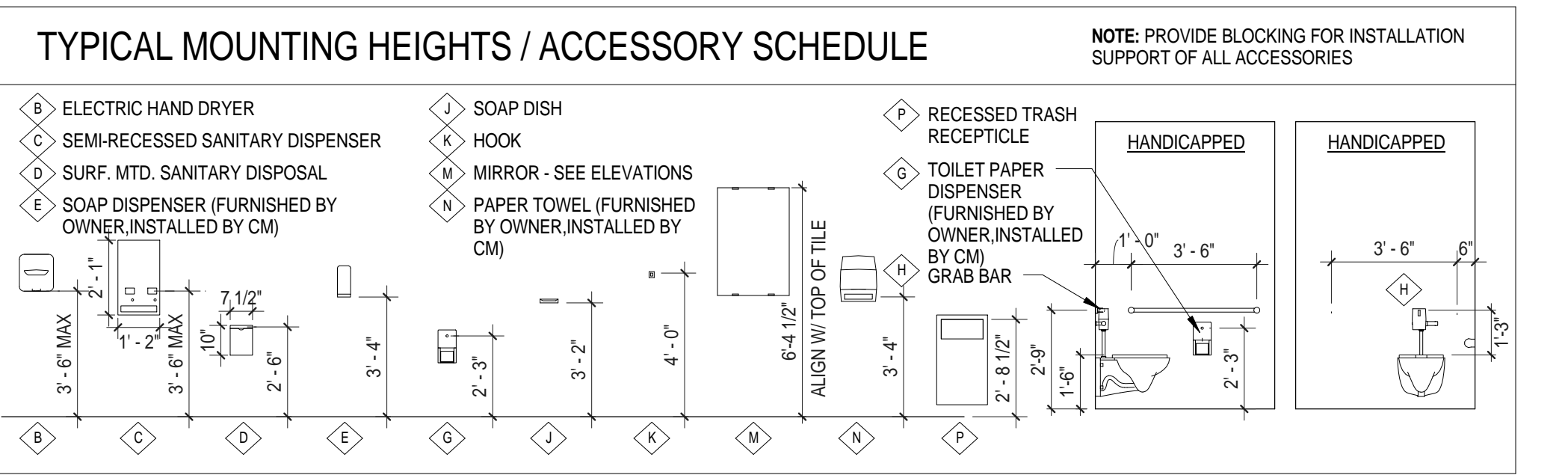
26 TYP. CORE F. FACULTY TOILET - A427
1/4" = 1'-0" CORE F. FACULTY TOILET (A427, A321D)



27 TYP. CORE F. FACULTY TOILET - A427
1/4" = 1'-0" CORE F. FACULTY TOILET (A427, A321D)



28 TYP. CORE F. FACULTY TOILET - A427
1/4" = 1'-0" CORE F. FACULTY TOILET (A427, A321D)



C:\Users\marchitects\Documents\Concord Carlisle HIS_CENTRAL\Architects\1102012\42812.PM
Title Room Plans and Elevation 1102012

Architect: **omr architects inc**
543 Massachusetts Ave, West Acton, MA 01720
www.omr-architects.com t: 978.264.0160

Consulting Engineer:
Registration: **Design Development Submission**
Project Name and Address:

Concord-Carlisle Regional High School
500 Walden Street
Concord, MA 01742

Issue Submissions:
No. Date Description
8/15/2012 Design Development Submission

Title: **Toilet Room Plans and Elevations**
Date: August 15, 2012 Scale: 1/4" = 1'-0" Drawn: MD/BC Checked: jff/rs

Project No.: **1102.00**
Drawing No.: **A10.4**
© omr architects inc